



710-19 CARRARO AXLE 125842-125843-
125845-126179-126180-126773
Spare Parts List

H. F.



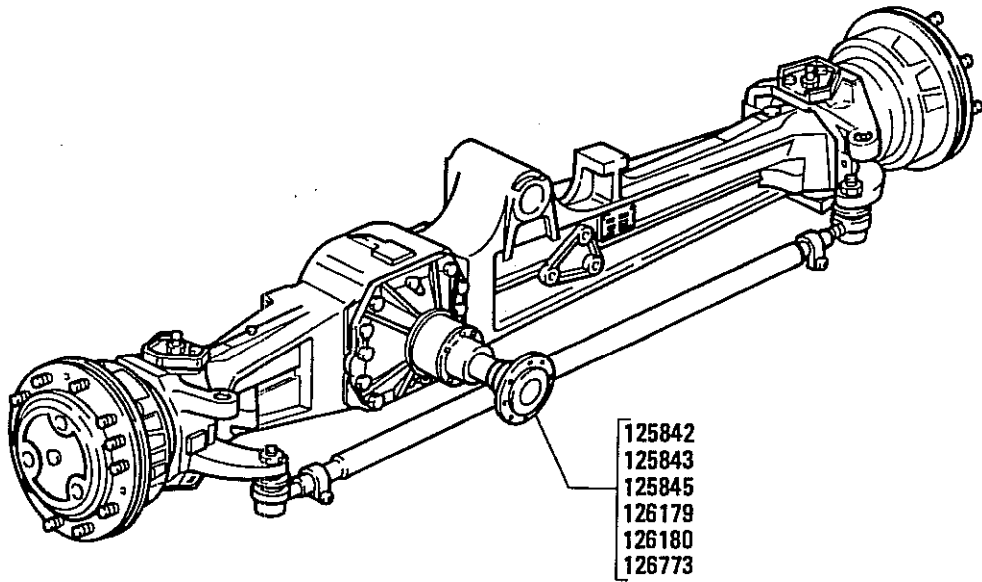
710-19 CARRARO AXLE 125842-125843-125845-

126179-126180-126773

SPARE PARTS LIST

INDEX OF PAGES

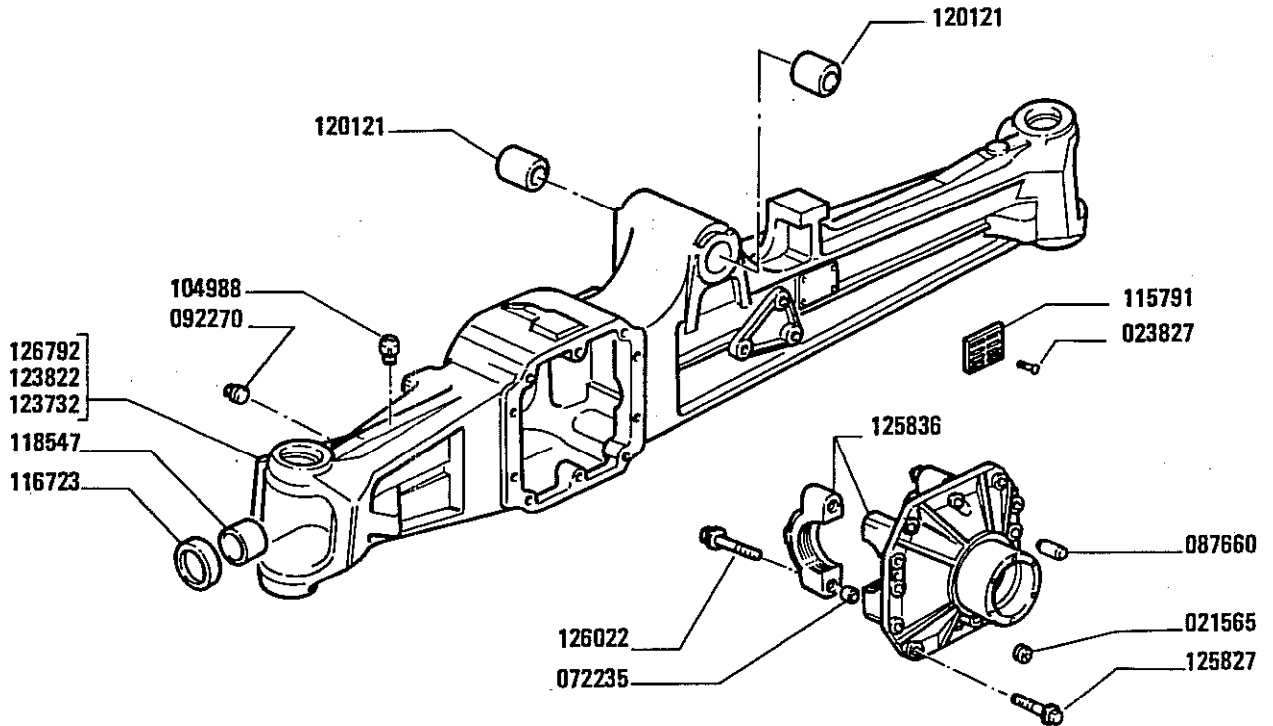
- 1.0 Assy
- 2.0 Axle housing
- 3.0 Tie rod
- 4.0 Bevel Gear/Pinion Set
- 5.0 Differential
- 6.0 Drive shaft
- 7.0 Epyclic reduction



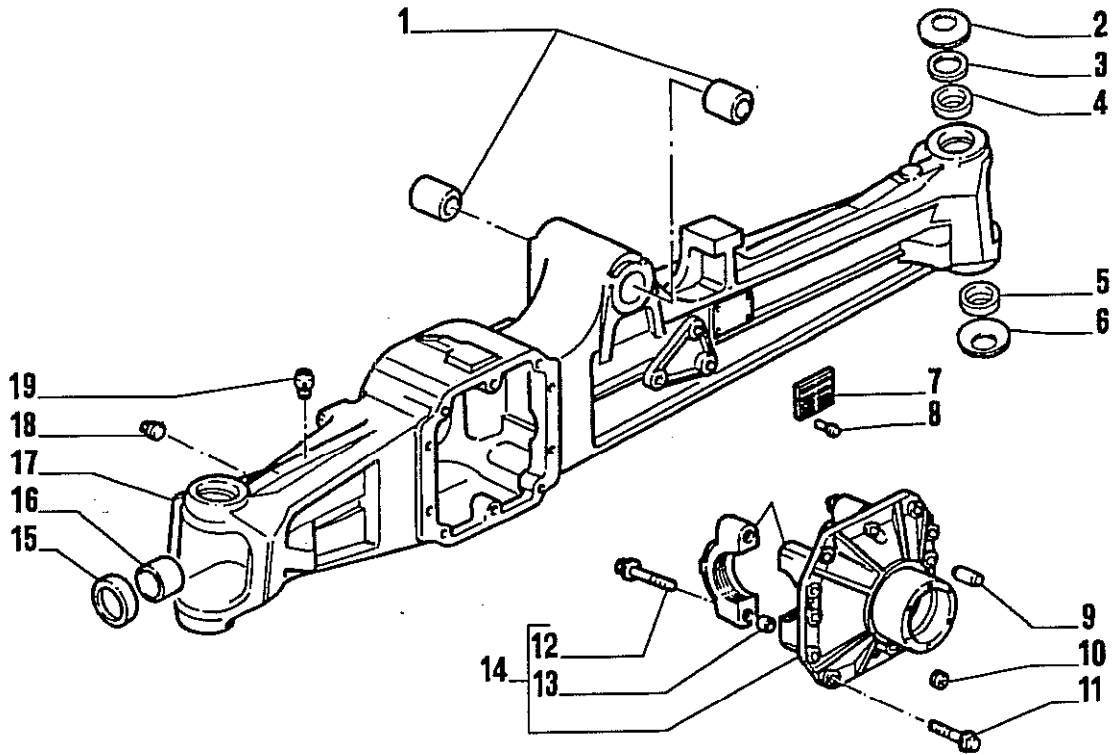
710-19 CARRARO AXLE 125842-125843-125845-

126179-126180-126773

NOT SERVICED



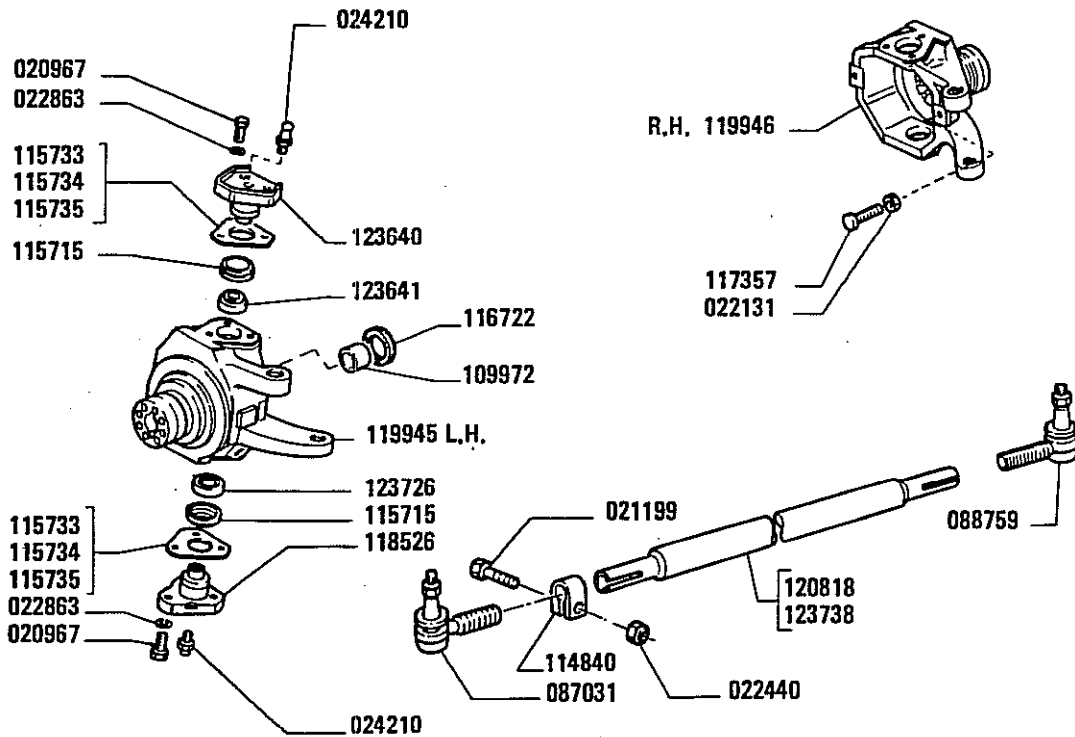
Ref.	Q.ty	Description	Ref.	Q.ty	Description
021565	1	Plug			
023827	4	Rivet D.3,2			
072235	4	Bush			
087660	2	Centering bush			
092270	1	Drain plug			
104988	1	Breather			
115791	1	Plate			
116723	2	Oil seal			
118547	2	Bush			
120121	2	Bushing			
123732	1	Housing for ref. 125842-126180			
123822	1	Housing for ref. 125843-125845-126179			
125827	10	Bolt			
125836	1	Differential support Assy			
126022	4	Bolt			
126792	1	Housing for ref. 126773			



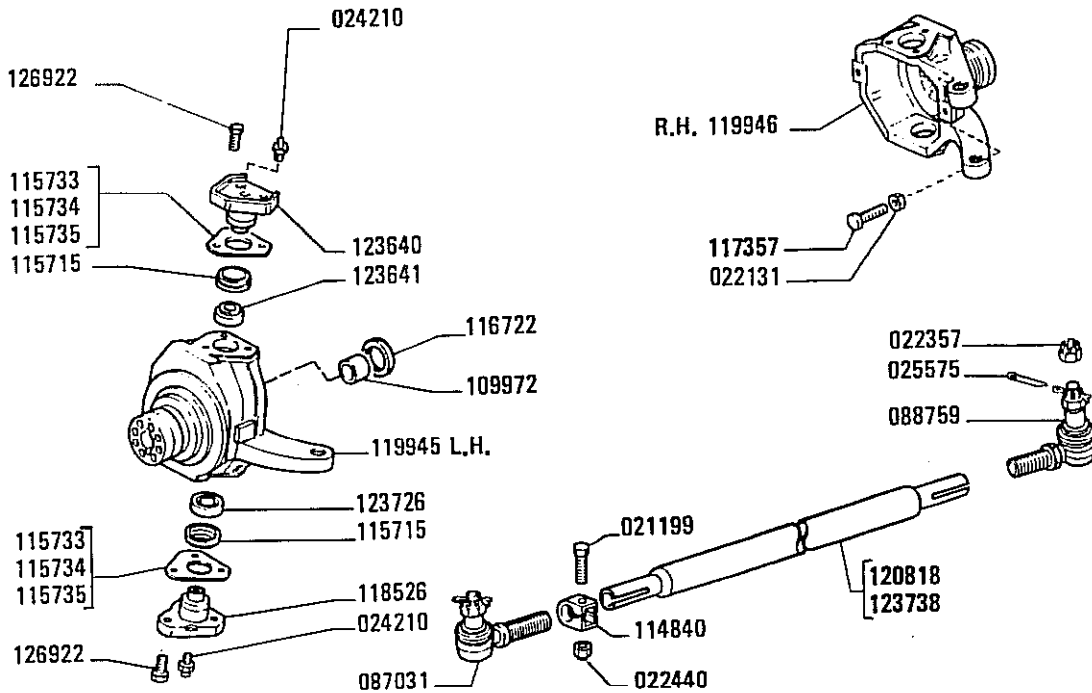
MOD.N.4215

Pos.	Ref.	Q.ty	Description	Pos.	Ref.	Q.ty	Description
1	120121	2 (a)	Bushing				
2	128633	2	Belleville washer				
3	131265	2	Spacer washer				
4	123641	2	Bush				
5	123726	2	Spherical bearing				
6	128630	2	Belleville washer				
7	115791	1	Plate				
8	023827	4	Rivet D.3,2				
9	087660	2	Pin D.15x35				
10	021565	1	Drain plug M.22x1,5 DIN 906				
11	125827	10	Bolt M12x33				
12	126022	4	Bolt M14x75				
13	072235	4	Centering bush				
14	125836	1	Differential support Assy				
15	116723	2	Oil seal 42x62x14				
16	118547	2	Bush				
17	129857	1	** Axle housing				
17	129866	1	* Axle housing				
17	130046	1	*** Axle housing				
18	092270	1	Oil plug				
19	104988	1	Breather M10x1				

(a) Not valid for axle ref.126773
 * Only for axles ref.125842-126180
 ** Only for axles ref.125843-845-126179
 *** Only for axle ref.126773

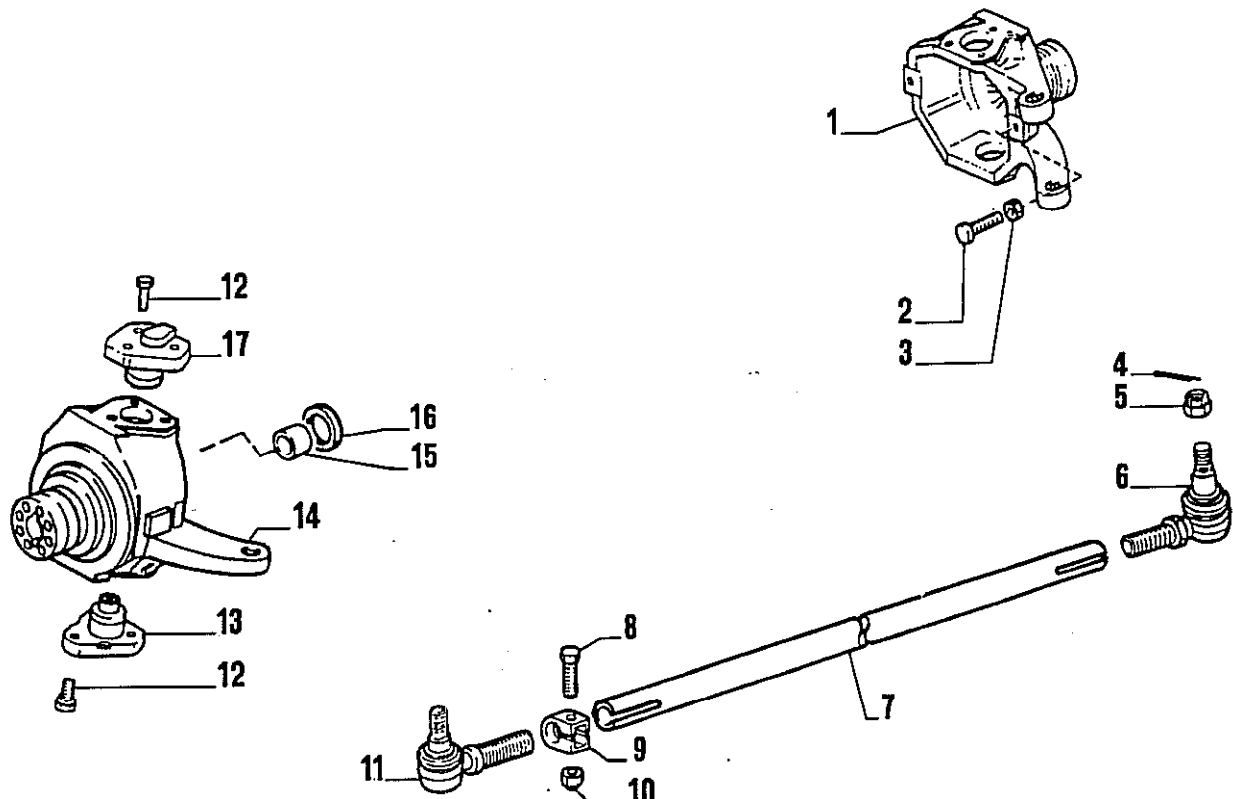


Ref.	Q.ty	Description	Ref.	Q.ty	Description
020967	12	Screw M14x35	123738	1	Tie Rod for ref. 125842-126180
021199	2	Screw			
022131	4	Nut M14			
022440	2	Nut			
022863	12	Washer D.14			
024210	4	Greaser nipple M6x1			
087031	1	Ball joint (R.H.Thread)			
088759	1	Ball joint (L.H.Thread)			
109972	2	Bush			
114840	2	Clamp			
115715	4	Oil seal			
115733	-	Shim Th=0,10 mm			
115734	-	Shim Th=0,19 mm			
115735	-	Shim Th=0,30 mm			
116722	2	Oil seal 35x52x16			
117357	4	Bolt			
118526	2	King pin			
119445	1	Swivel housing L.H.			
119446	1	Swivel housing R.H.			
120818	1	Tie Rod for ref. 125845-126179			
123640	2	King pin			
123641	2	Bush			
123726	2	Spherical bearing			



MOD.N.3431

Ref.	Q.ty	Description	Ref.	Q.ty	Description
021199	2	Screw	126922	12	Bolt M14x35
022131	4	Nut M14			
022357	2	Nut M16x1,5			
022440	2	Nut			
024210	4	Greaser nipple M6x1			
025575	2	Pin D4x30			
087031	1	Ball joint R.H.			
088759	1	Ball joint L.H.			
109972	2	Bush			
114840	2	Clamp			
115715	4	Oil seal			
115733	-	Shim Th=0,10 mm			
115734	-	Shim Th=0,19 mm			
115735	-	Shim Th=0,30 mm			
116722	2	Oil seal 35x52x16			
117357	4	Bolt			
118526	2	King pin			
119945	1	Swivel housing L.H.			
119946	1	Swivel housing R.H.			
120818	1	Tie Rod for ref. 125845-126179			
123640	2	King pin			
123641	2	Bush			
123726	2	Spherical bearing			
123738	1	Tie Rod for ref. 125842-126180			



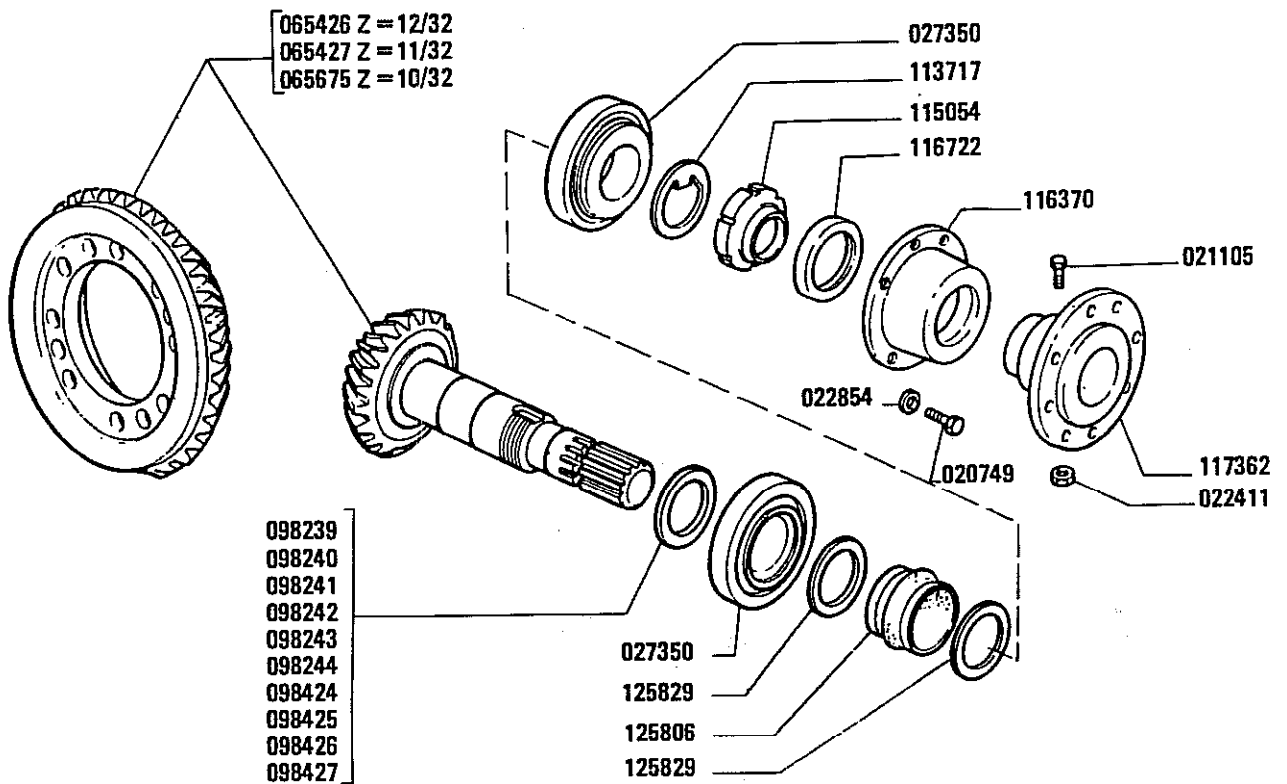
MOD. N.4215

Pos.	Ref.	Q.ty	Description	Pos.	Ref.	Q.ty	Description
1	119946	1	Swivel housing R.H.				
2	117357	4	Bolt M14x60				
3	022131	4	Nut M.14 5589				
4	025575	2	Pin D4x30				
5	022433	2	Nut M16x1,5 B (self locking)- 5931				
6	088759	1	Ball joint (L.H.Thread)				
7	120818	1	* Tie Rod				
7	123738	1	** Tie rod				
8	021199	2	Bolt M16x1,5x65- 5738				
9	114840	2	Clamp				
10	022440	2	Nut R80 M16x1,5A (self locking)				
11	087031	1	Ball joint (R.H.Thread)				
12	126922	12	Bolt M14x2x35 (Self locking)				
13	130466	2	King pin				
14	119945	1	Swivel housing L.H.				
15	109972	2	Bush				
16	116722	2	Oil seal "COMBI" 35x52x16				
17	130465	2	King pin				

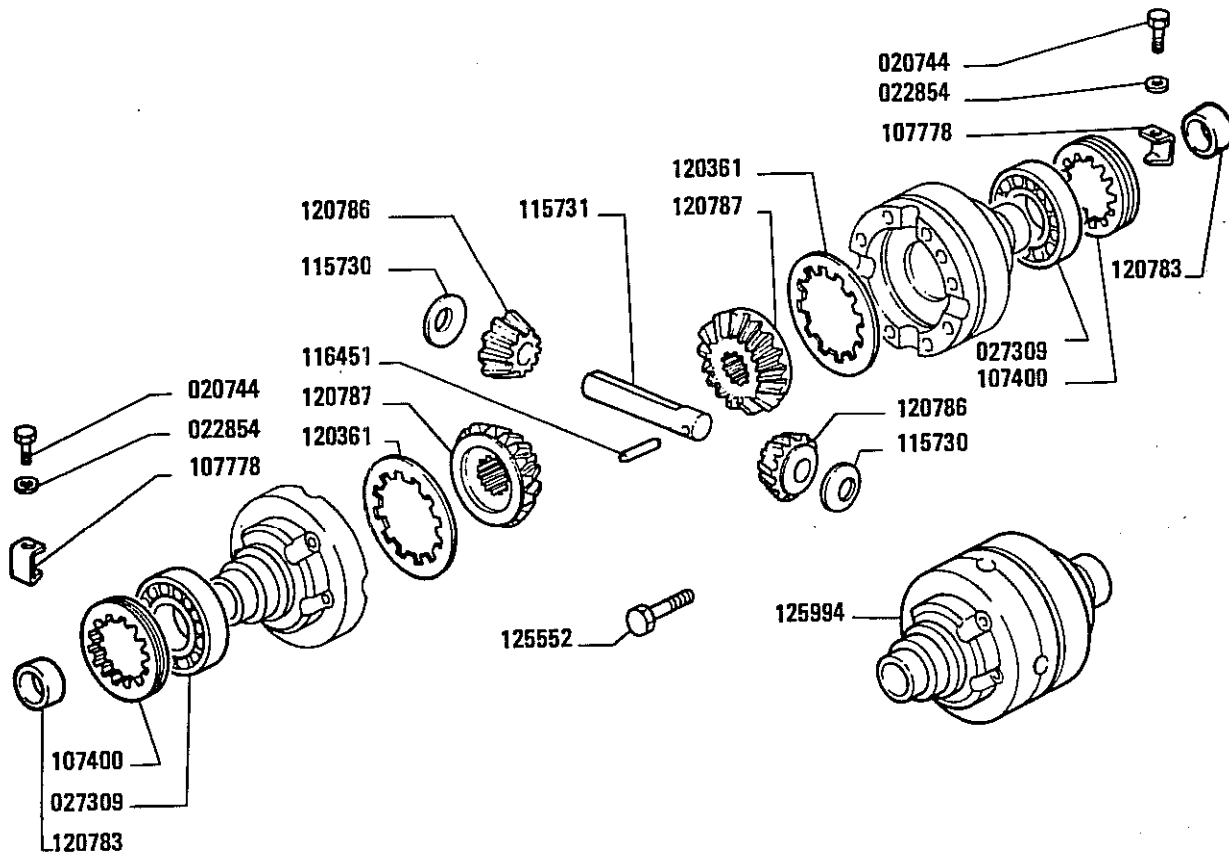
** Only for axles ref.125842-126180

* Only for axles ref.125845-125853-126733-126179

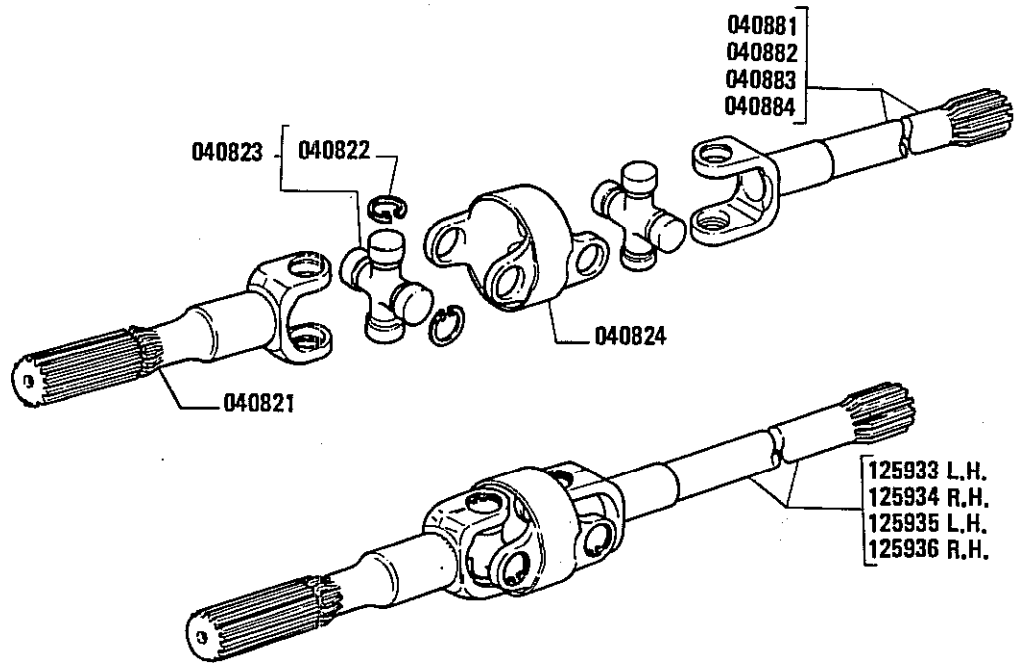
Bevel Gear/Pinion Set



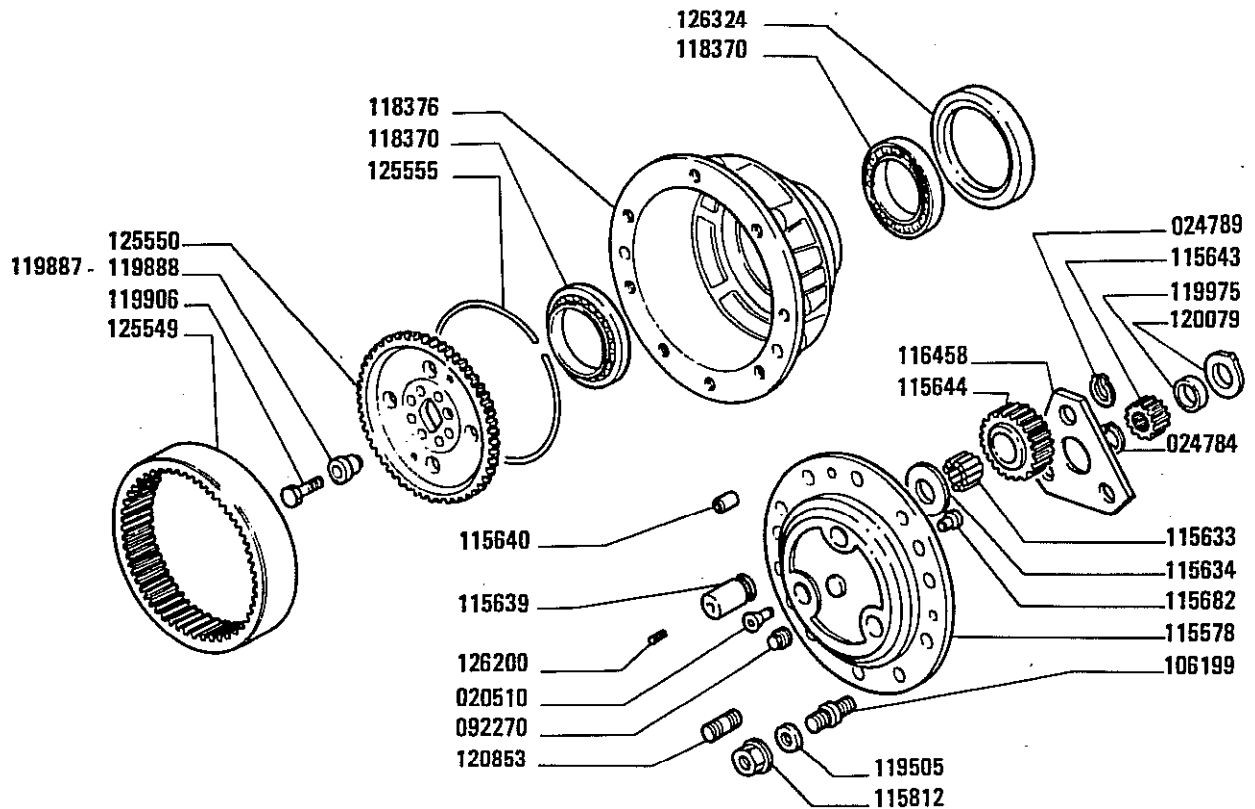
Ref.	Q.ty	Description	Ref.	Q.ty	Description
020749	6	Screw M6x20	117362	1	Flange
021105	2	Screw M10x60	125806	1	Collapsible spacer
022411	2	Nut	125829	2	Washer
022854	6	Washer D.6			* Includes parts
027350	2	Bearing 31308			ref.125806-125829-
065426	* 1	Bevel gear/pinion set Z=12/32 ref.125842-125843			115054-116722
065427	* 1	Bevel gear/pinion set Z=11/32 ref.125845			
065675	* 1	Bevel gear/pinion set Z=10/32 ref.126179-126180-126773			
098239	-	Spacer Th=3,00			
098240	-	Spacer Th=3,10			
098241	-	Spacer Th=3,20			
098242	-	Spacer Th=3,30			
098243	-	Spacer Th=3,40			
098244	-	Spacer Th=2,90			
098424	-	Spacer Th=2,80			
098425	-	Spacer Th=2,70			
098426	-	Spacer Th=2,60			
098427	-	Spacer Th=2,50			
113717	1	Lockwasher			
115054	1	Ring nut			
116370	1	Flange			
116722	1	Oil seal 35x52x16			



Ref.	Q.ty	Description	Ref.	Q.ty	Description
020744	2	Screw M6x12			
022854	2	Washer			
027309	2	Bearing 30210			
107400	2	Ring nut			
107778	2	Locking plate			
115730	2	Thrust washer			
115731	1	Shaft			
116451	1	Pin			
120361	2	Thrust plate			
120783	2	Bush			
120786	2	Gear			
120787	2	Side pinion			
125552	12	Bolt			
125994	1	Housing			



Ref.	Q.ty	Description	Ref.	Q.ty	Description
040821	4	Half shaft			
040822	16	Lock ring			
040823	4	Spider			
040824	2	Central body			
040881	1	Half shaft for ref.125843-125845-126179-126773			
040882	1	Half shaft for ref.125842-126180			
040883	1	Half shaft for ref.125842-126180			
040884	1	Half shaft for ref.125843-125845-126179-126773			
125933	1	Drive shaft for ref.125843-125845-126179-126773			
125934	1	Drive shaft for ref.125843-125845-126179-126773			
125935	1	Drive shaft for ref.125842-126180			
125936	1	Drive shaft for ref.125842-126180			



Ref.	Q.ty	Description	Ref.	Q.ty	Description
020510	4	Screw M12x30	125549	2	Crown gear
024784	2	Snap ring	125550	2	Wheel carrier
024789	6	Thrust washer	125555	2	Lockring
092270	2	Drain plug	126200	6	Plug
106199	12	Stud	126324	2	Oil seal 150x176x16
115578	2	Planetary carrier			
115633	180	Needle bearing			
115634	6	Thrust washer			
115639	6	Shaft			
115640	4	Pin 18x36			
115643	2	Pinion			
115644	6	Planetary carrier			
115682	2	Thrust pin			
115812	16	Nut			
116458	2	Thrust washer			
118370	4	Bearing			
118376	2	Wheel Hub			
119505	16	Washer			
119887	6	Centering bush			
119888	2	Centering bush			
119906	8	Bolt M14x1,5x65			
119975	2	Spacer			
120079	2	Thrust washer			
120853	4	Stud			

710-19 CARRARO AXLE 125842-125843-125845-126179-126180-126773

Ref.	Table	Ref.	Table	Ref.	Table	Ref.	Table
020510	7.0	109972	3.0	123738	3.0		
020744	5.0	113717	4.0	125549	7.0		
020749	4.0	114840	3.0	125550	7.0		
020967	3.0	115054	4.0	125552	5.0		
021105	4.0	115578	7.0	125555	7.0		
021199	3.0	115633	7.0	125806	4.0		
021565	2.0	115634	7.0	125827	2.0		
022131	3.0	115639	7.0	125829	4.0		
022411	4.0	115640	7.0	125836	2.0		
022440	3.0	115643	7.0	125933	6.0		
022854	4.0	115644	7.0	125934	6.0		
022854	5.0	115682	7.0	125935	6.0		
022863	3.0	115715	3.0	125936	6.0		
023827	2.0	115730	5.0	125994	5.0		
024210	3.0	115731	5.0	126022	2.0		
024784	7.0	115733	3.0	126200	7.0		
024789	7.0	115734	3.0	126324	7.0		
027309	5.0	115735	3.0				
027350	4.0	115791	2.0				
040821	6.0	115812	7.0				
040822	6.0	116370	4.0				
040823	6.0	116451	5.0				
040824	6.0	116458	7.0				
040881	6.0	116722	3.0				
040882	6.0	116722	4.0				
040883	6.0	116723	2.0				
040884	6.0	117357	3.0				
065426	4.0	117362	4.0				
065427	4.0	118370	7.0				
065675	4.0	118376	7.0				
072235	2.0	118526	3.0				
087031	3.0	118547	2.0				
087660	2.0	119445	3.0				
088759	3.0	119446	3.0				
092270	2.0	119505	7.0				
092270	7.0	119887	7.0				
098239	4.0	119888	7.0				
098240	4.0	119906	7.0				
098241	4.0	119975	7.0				
098242	4.0	120079	7.0				
098243	4.0	120121	2.0				
098244	4.0	120361	5.0				
098424	4.0	120783	5.0				
098425	4.0	120786	5.0				
098426	4.0	120787	5.0				
098427	4.0	120818	3.0				
104988	2.0	120853	7.0				
106199	7.0	123640	3.0				
107400	5.0	123641	3.0				
107778	5.0	123726	3.0				