



DECEMBER '92

26.22 LP CARRARO AXLE ref.128802

For "MF"

Spare Parts List

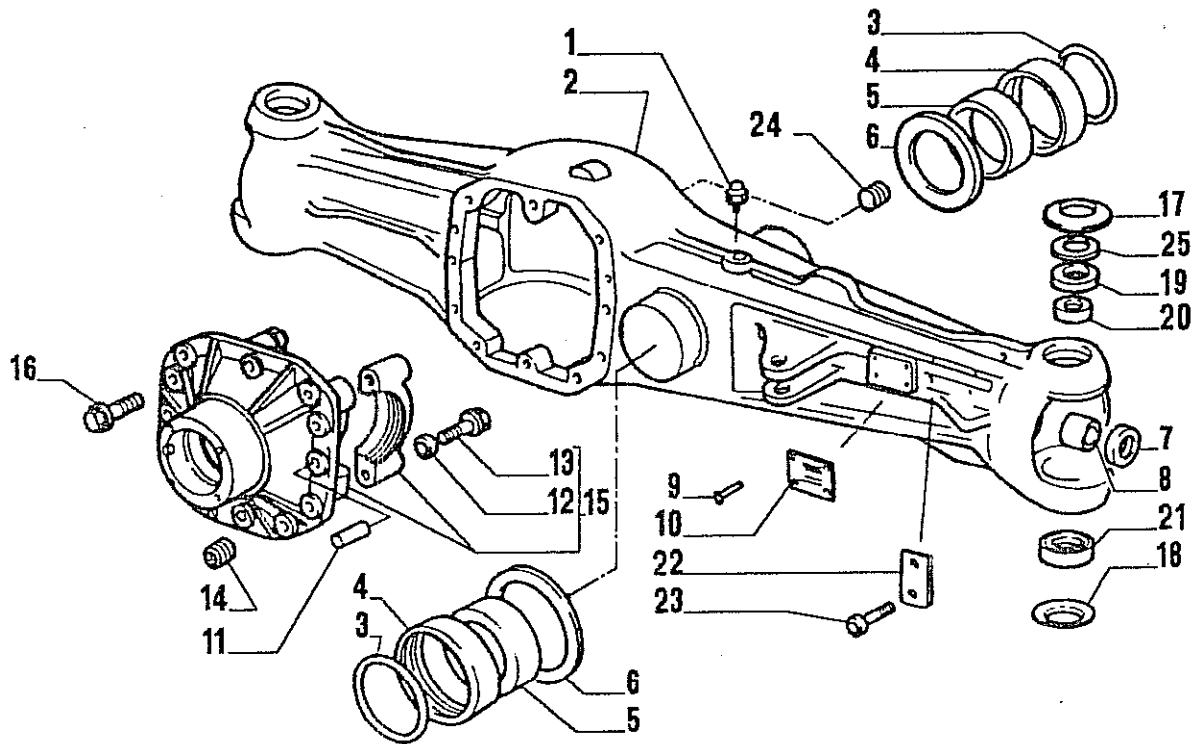
26.22 LP CARRARO AXLE REF.128802

For "MF"

SPARE PARTS LIST

INDEX OF PAGES

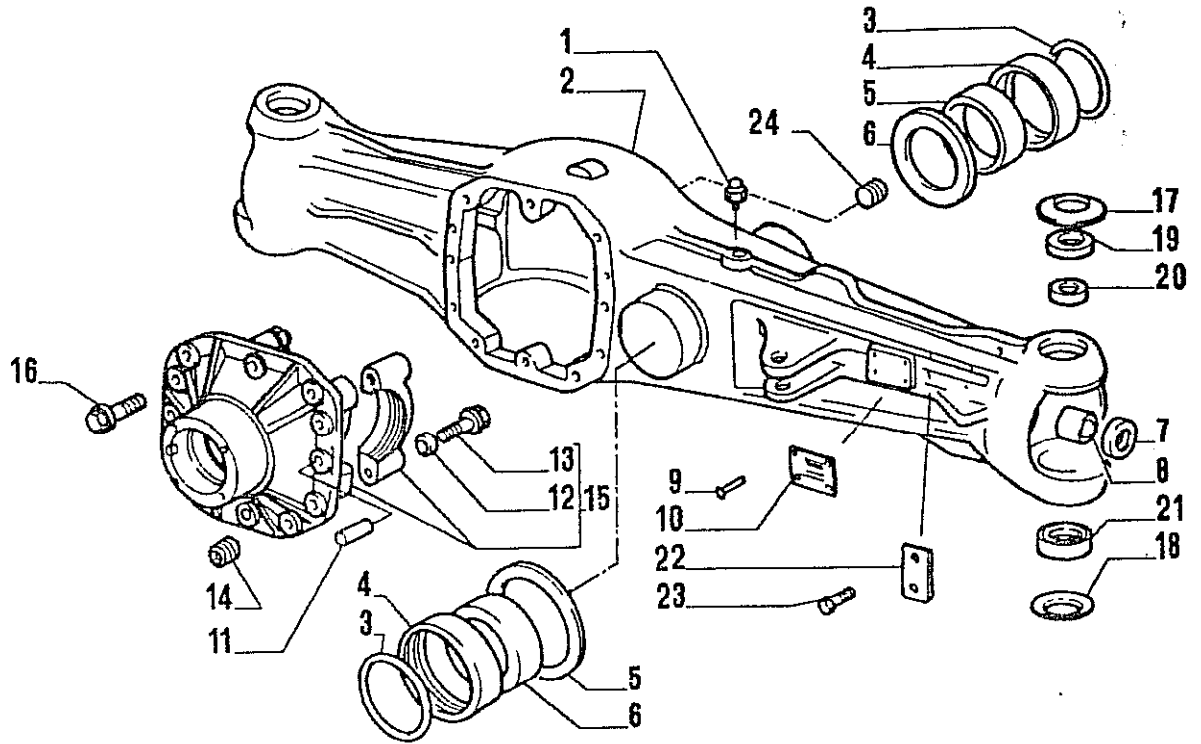
1.0	Axle housing
2.0	Swivel housings and tie rod
3.0	Bevel gear/Pinion set
4.0	Differential
5.0	Drive shafts
6.0	Wheel hub and brakes
7.0	Epyclic reduction gears



MOD.N.4424

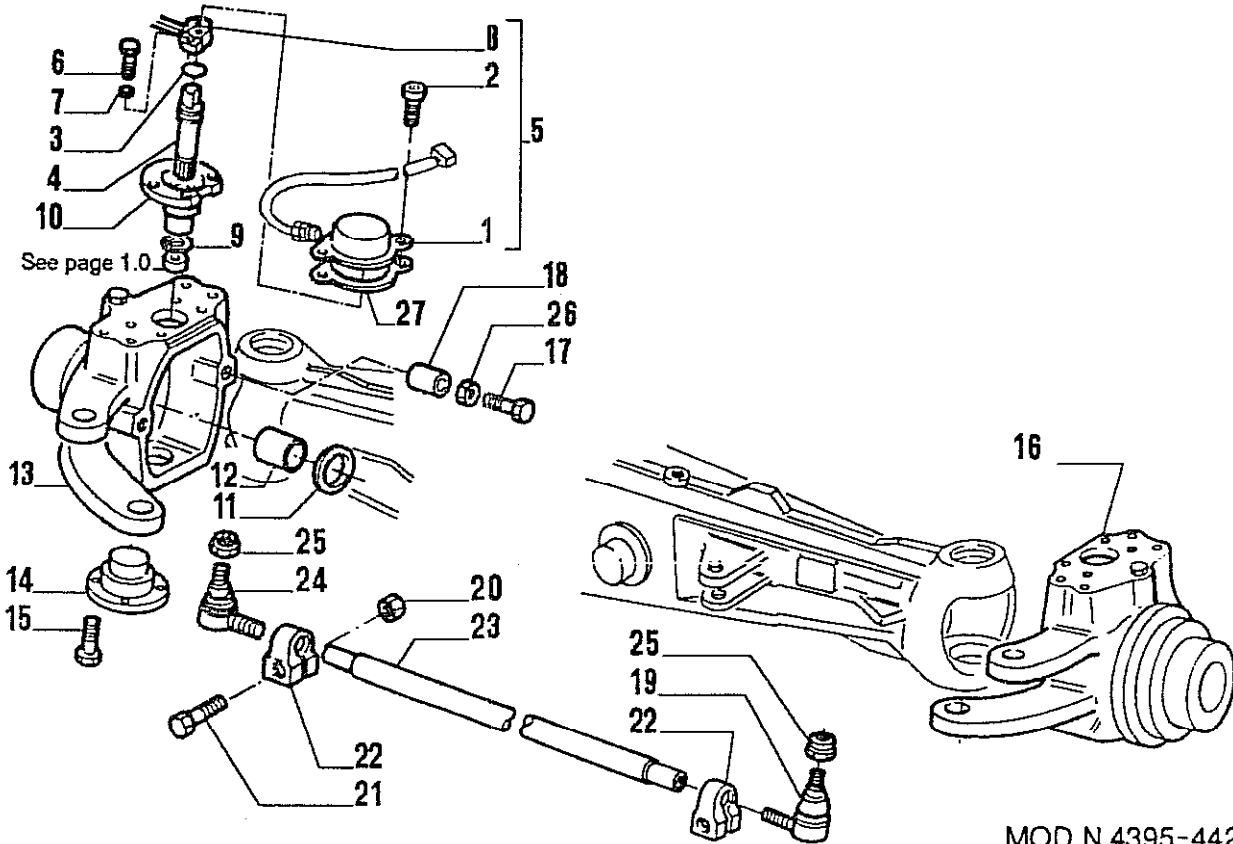
Pos.	Ref.	Q.ty	Description	Pos.	Ref.	Q.ty	Description
1	104988	1	Breather M10x1				
2	066023	1	* Axle housing				
3	028216	2	O.ring 2375				
4	127522	2	Bush				
5	127520	2	Bush				
6	127521	2	Thrust washer				
7	116723	2	Oil seal 42x62x14				
8	118547	2	Bush				
9	023827	4	Rivet D.3,2				
10	123147	1	Plate				
11	087660	2	Pin D.15x35				
12	072235	4	Centering bush				
13	126022	4	Bolt M14x75				
14	021565	1	Drain plug M.22				
15	125836	1	Differential support Assy				
16	125827	10	Bolt M12x33				
17	128632	2	Belleville washer				
18	128631	2	Belleville washer				
19	123660	2	Bush				
20	-	2	Washer,inner toothed (not serviceable)				
21	027693	2	Bearing				
22	130534	6	Plate				
23	021369	12	Screw M6x10 Socket head				
24	128050	1	Drain plug M.24				
25	131276	2	Spacer washer				

* Includes items pos. 20 and 8



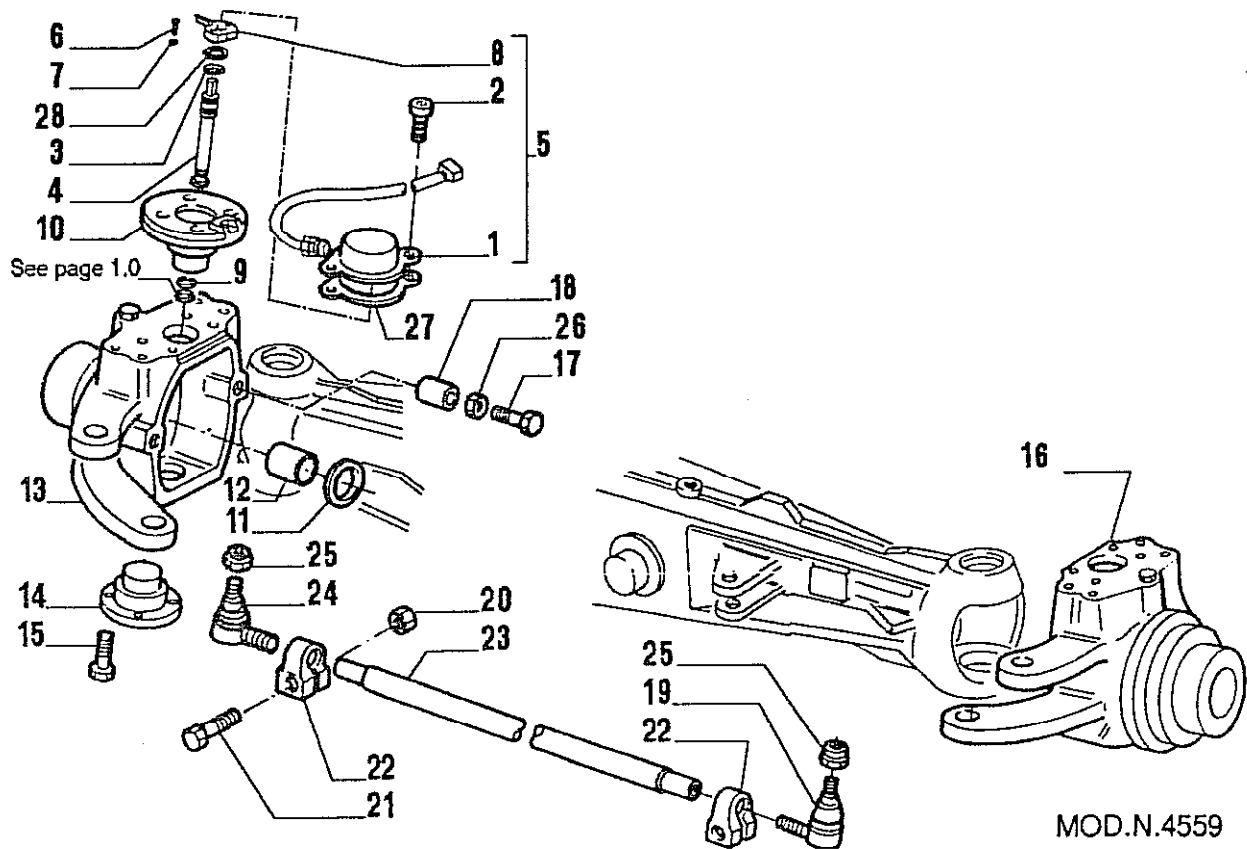
Pos.	Ref.	Q.ty	Description	Pos.	Ref.	Q.ty	Description
1	104988	1	Breather M10x1				
2	066023	1	Axle housing				
3	028216	2	O.ring 2375				
4	127522	2	Bush				
5	127520	2	Bush				
6	127521	2	Thrust washer				
7	116723	2	Oil seal 42x62x14				
8	118547	2	Bush				
9	023827	4	Rivet D.3,2				
10	123147	1	Plate				
11	087660	2	Pin D.15x35				
12	072235	4	Centering bush				
13	126022	4	Bolt M14x75				
14	021565	1	Drain plug M.22				
15	125836	1	Differential support Assy				
16	125827	10	Bolt M12x33				
17	128632	2	Belleville washer				
18	128631	2	Belleville washer				
19	123660	2	Bush				
20	-	2	Washer,inner toothed (not serviceable)				
21	027693	2	Bearing				
22	130534	6	Plate				
23	128440	12	Screw M6x10 5739 (Self locking)				
24	128050	1	Drain plugM.24				

* Includes items pos. 20 and 8

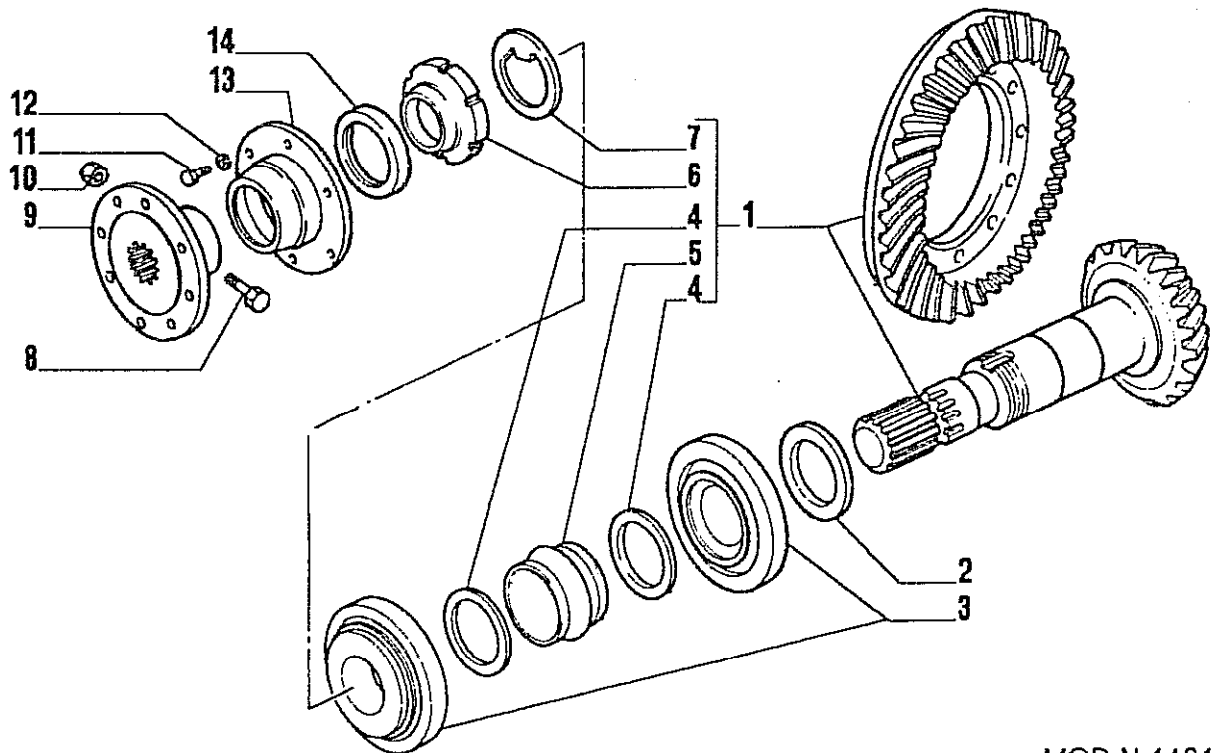


MOD.N.4395-4424

Pos.	Ref.	Q.ty	Description	Pos.	Ref.	Q.ty	Description
1	128778	1	Cover L.H.	26	022131	4	Nut M.14 5589
1	130645	1	Cover R.H.	27	131264	2	Gasket
2	021369	4	Screw M6x10 Socket head				
3	028595	2	O.ring 2037				
4	130429	2	Shaft				
5	131061	1	Kit R.H.				
5	131062	1	Kit L.H.				
6	020701	4	Bolt TE 8.8 M4x20 5739				
7	023060	4	Washer D.4				
8	131057	2	Potentiometer				
9	024718	2	Snap ring RS10MB				
10	131063	2	King pin				
11	116722	2	Oil seal 'COMBI' 35x52x16				
12	109972	2	Bush				
13	128620	1	Swivel housing L.H.				
14	130428	2	King pin				
15	126923	16	Bolt				
16	128619	1	Swivel housing R.H.				
17	123206	4	Bolt M14x95				
18	120387	4	Spacer				
19	087031	1	Ball joint (R.H.Thread)				
20	022440	2	Nut M16x1,5				
21	021199	2	Bolt M16x1,5x65				
22	114840	2	Clamp				
23	127385	1	Tie rod				
24	088759	1	Ball joint (L.H.Thread)				
25	022433	2	Nut M.16x1,5 (Self locking)				

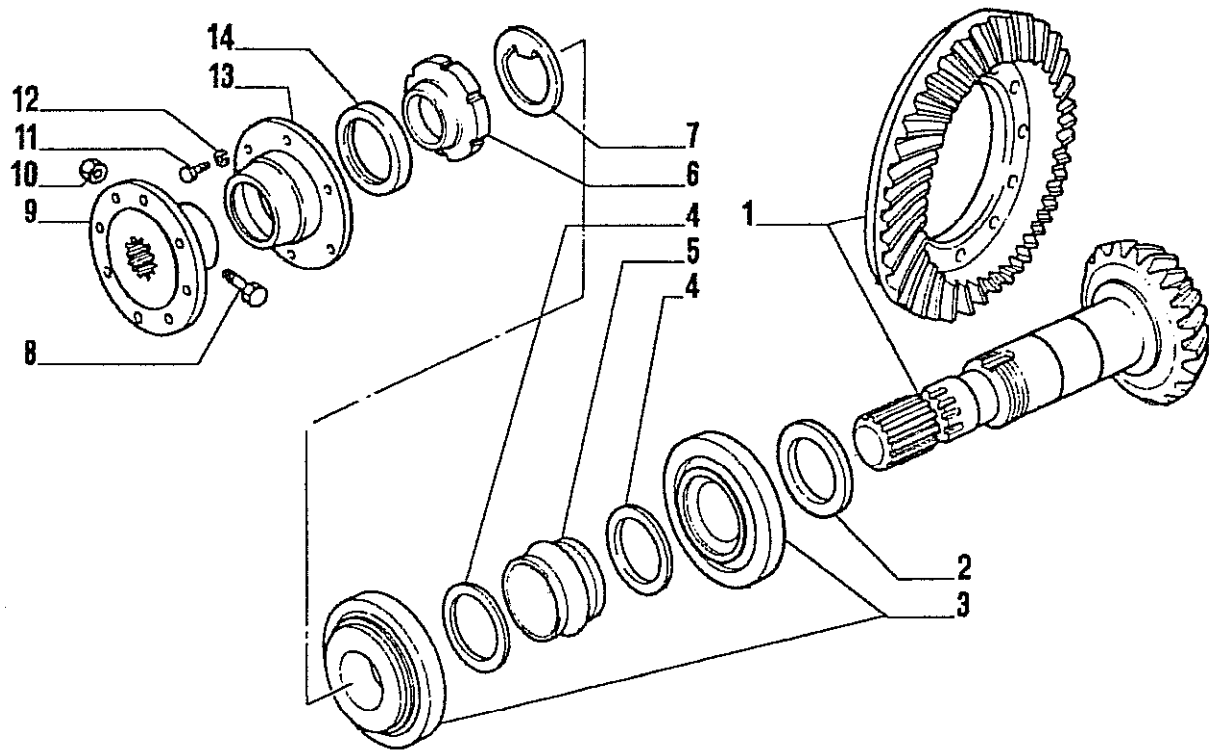


Pos.	Ref.	Q.ty	Description	Pos.	Ref.	Q.ty	Description
1	128778	1	Cover L.H.	26	022131	4	Nut M.14 5589
1	130645	1	Cover R.H.	27	131264	2	Gasket
2	021369	4	Screw M6x10 Socket head	28	024765	2	Snap ring D.12 DIN471
3	028595	2	O.ring 2037				
4	131648	2	Shaft				
5	131061	1	Kit R.H.				
5	131062	1	Kit L.H.				
6	020701	4	Bolt TE 8.8 M4x20 5739				
7	023060	4	Washer D.4				
8	131057	2	Potentiometer				
9	024718	2	Snap ring RS10MB				
10	131647	2	King pin				
11	116722	2	Oil seal "COMBI" 35x52x16				
12	109972	2	Bush				
13	128620	1	Swivel housing L.H.				
14	130428	2	King pin				
15	126923	16	Bolt				
16	128619	1	Swivel housing R.H.				
17	123206	4	Bolt M14x95				
18	120387	4	Spacer				
19	087031	1	Ball joint (R.H.Thread)				
20	022440	2	Nut M16x1,5				
21	021199	2	Bolt M16x1,5x65				
22	114840	2	Clamp				
23	127385	1	Tie rod				
24	088759	1	Ball joint (L.H.Thread)				
25	022433	2	Nut M.16x1,5 (Self locking)				



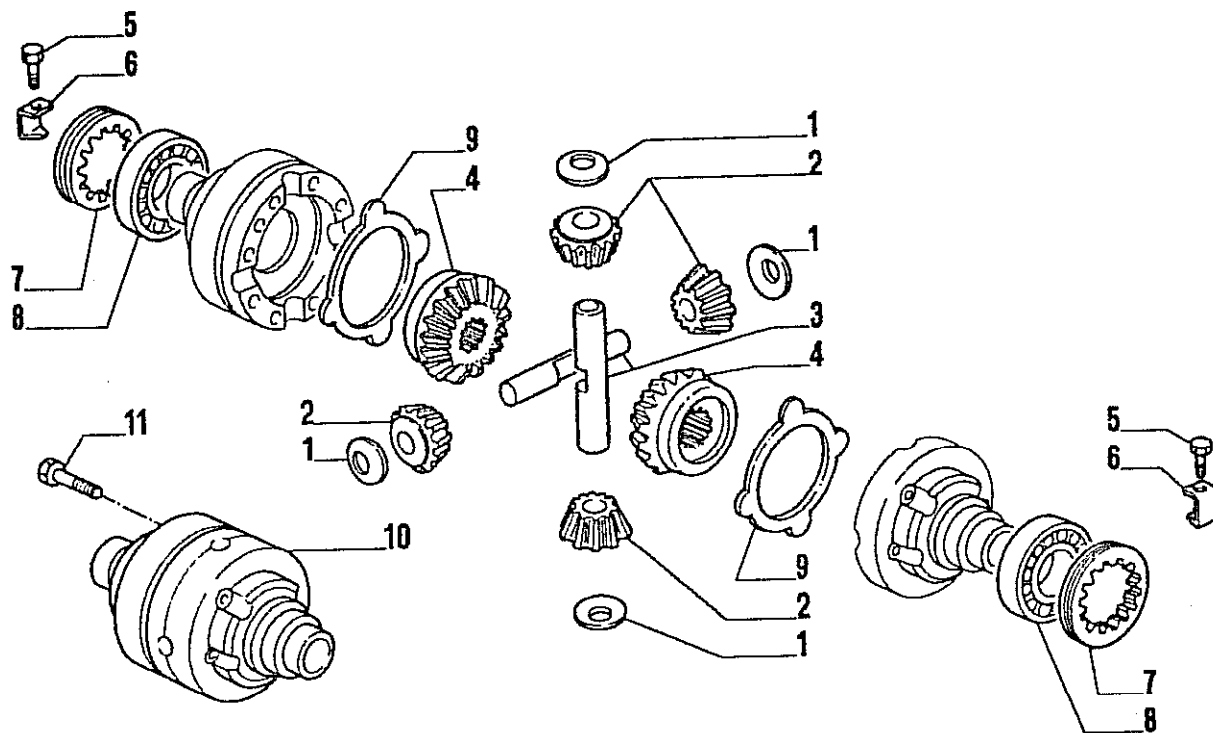
MOD.N.4484

Pos.	Ref.	Q.ty	Description	Pos.	Ref.	Q.ty	Description
1	065675	1	Bevel gear/pinion set Z=10/32				
2	098239	-	Shim 3,00mm				
2	098240	-	Shim 3,10mm				
2	098241	-	Shim 3,20mm				
2	098242	-	Shim 3,30mm				
2	098243	-	Shim 3,40mm				
2	098244	-	Shim 2,90mm				
2	098424	-	Shim 2,80mm				
2	098425	-	Shim 2,70mm				
2	098426	-	Shim 2,60mm				
2	098427	-	Shim 2,50mm				
3	130807	2	Bearing				
4	125829	2	Washer				
5	125806	1	Collapsible spacer				
6	115054	1	Ring nut M40x1,25				
7	113717	1	Lockwasher				
8	021105	2	Bolt M10x60 5738				
9	117362	1	Flange				
10	022411	2	Nut M10x1,25 (Self locking)				
11	020749	6	Screw M6x20 5739				
12	022854	6	Spring washer D.6				
13	116370	1	Cover				
14	116722	1	Oil seal 'COMBI' 35x52x16				



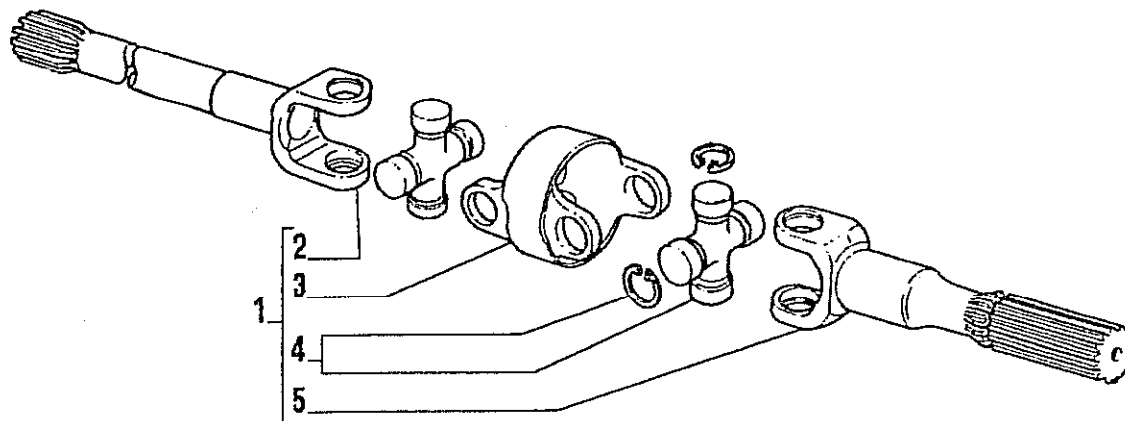
Pos.	Ref.	Q.ty	Description	Pos.	Ref.	Q.ty	Description
1	065675	1	Bevel gear/pinion set Z=10/32				
2	098239	-	Shim 3,00mm				
2	098240	-	Shim 3,10mm				
2	098241	-	Shim 3,20mm				
2	098242	-	Shim 3,30mm				
2	098243	-	Shim 3,40mm				
2	098244	-	Shim 2,90mm				
2	098424	-	Shim 2,80mm				
2	098425	-	Shim 2,70mm				
2	098426	-	Shim 2,60mm				
2	098427	-	Shim 2,50mm				
3	027350	2	Bearing 31308				
4	125829	2	Washer				
5	125806	1	Collapsible spacer				
6	115054	1	Ring nut M40x1,25				
7	113717	1	Lockwasher				
8	021105	2	Bolt M10x60 5738				
9	117362	1	Flange				
10	022411	2	Nut M10x1,25 (Self locking)				
11	020749	6	Screw M6x20 5739				
12	022854	6	Spring washer D.6				
13	116370	1	Cover				
14	116722	1	Oil seal "COMBI" 35x52x16				

Differential

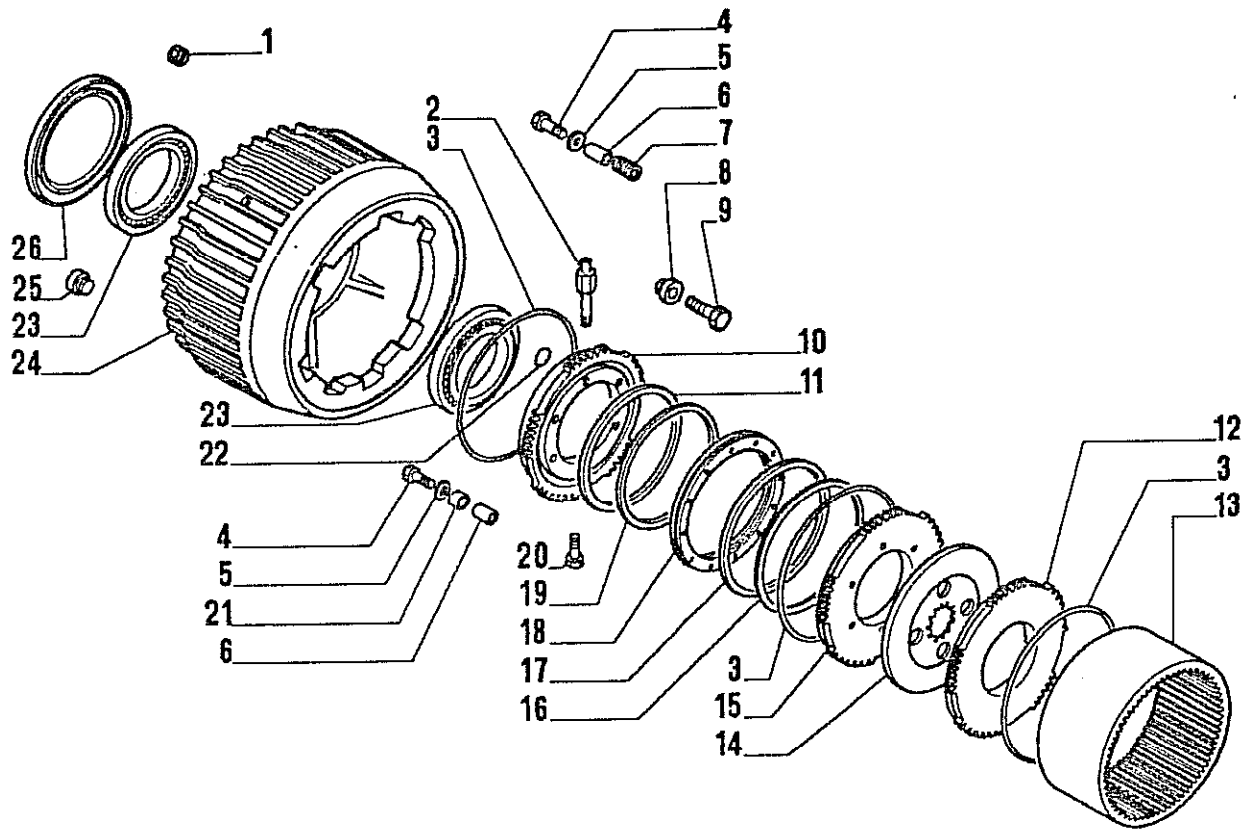


Pos.	Ref.	Q.ty	Description	Pos.	Ref.	Q.ty	Description
1	115730	4	Thrust washer				
2	120786	4	Pinion				
3	116369	2	Shaft				
4	120787	2	Planetary gear				
5	128440	2	Screw M6x10 5739 (Self locking)				
6	107778	2	Locking plate				
7	107400	2	Ring nut				
8	027309	2	Bearing 30210				
9	120361	2	Thrust washer				
10	127711	1	Differential housing				
11	125552	12	Bolt H.H. M10x1,5x75 (Self locking)				

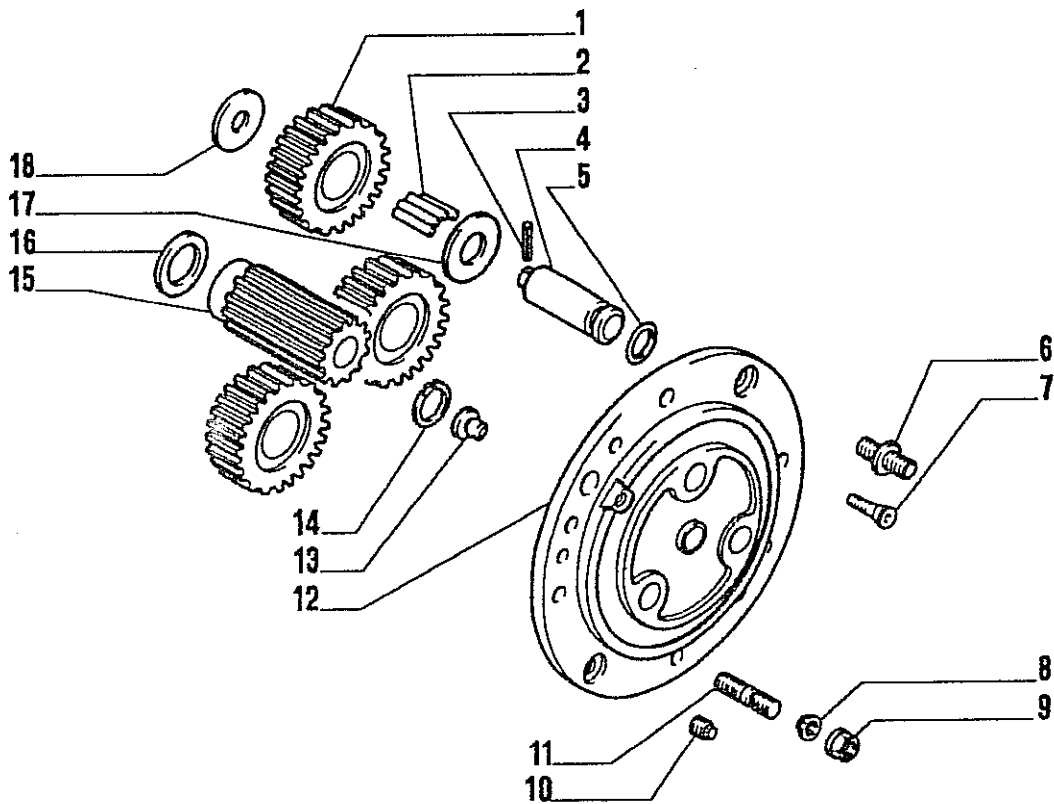
Drive shafts



Pos.	Ref.	Q.ty	Description	Pos.	Ref.	Q.ty	Description
1	128615	1	Drive shaft (L=1286,5 mm)				
1	128616	1	Drive shaft (L=766,5 mm)				
2	046256	1	* Half shaft (differential side)				
2	046258	1	* Half shaft (differential side)				
3	040835	2	Central body				
4	040869	4	Spider				
5	046257	2	Half shaft (wheel side)				
			* Only for drive shaft 128615				
			** Only for drive shaft 128616				



Pos.	Ref.	Q.ty	Description	Pos.	Ref.	Q.ty	Description
1	021565	2	Drain plug M.22	26	047705	2	Cassette seal
2	121584	2	Breather plug				
3	125555	6	Lockring				
4	020754	12	Bolt M6x30 5739				
5	126292	12	Washer D.6,2x17,5x2				
6	126286	12	Bush				
7	126297	6	Spring				
8	125189	2	Centering bush D.24				
8	125190	14	Centering bush D.20				
9	119906	16	Bolt M14x1,5x65 (Self locking)				
10	125221	1	Wheel carrier L.H.				
10	125222	1	Wheel carrier R.H.				
11	123972	2	Quadring 168,6x3,5				
12	123166	2	Reaction plate				
13	123150	2	Crown gear				
14	121656	2	Brake disc				
15	125219	2	Reaction plate				
16	124006	2	Antiextrusion ring D.184,1-2,95				
17	121271	2	Quadring 178,6x3,5				
18	124004	2	Brake piston				
19	124005	2	Antiextrusion ring D.170,1-2,95				
20	125728	2	Screw				
21	123622	6	Split pin D18x20				
22	028526	2	O. ring 2031				
23	118370	4	Bearing 37431A/37625				
24	121794	2	Wheel hub				
25	125280	2	Oil plug				



Pos.	Ref.	Q.ty	Description	Pos.	Ref.	Q.ty	Description
1	120836	6	Planetary gear				
2	028294	18	Needle bearing (by tens)				
3	129218	6	Pin D4				
4	120835	6	Shaft				
5	028189	6	O. ring 4112 (2-216)				
6	120853	4	Stud with collar				
7	020510	4	Screw M12x30 5933				
8	119505	16	Washer				
9	115812	16	Nut DIN 74361/2B				
10	092270	2	Oil plug				
11	106199	12	Stud				
12	120827	2	Planetary carrier				
13	115682	2	Lock pin				
14	024784	2	Snap ring D.29				
15	121626	2	Sleeve				
16	120079	2	Thrust washer				
17	115634	6	Thrust washer				
18	120838	6	Thrust washer				