

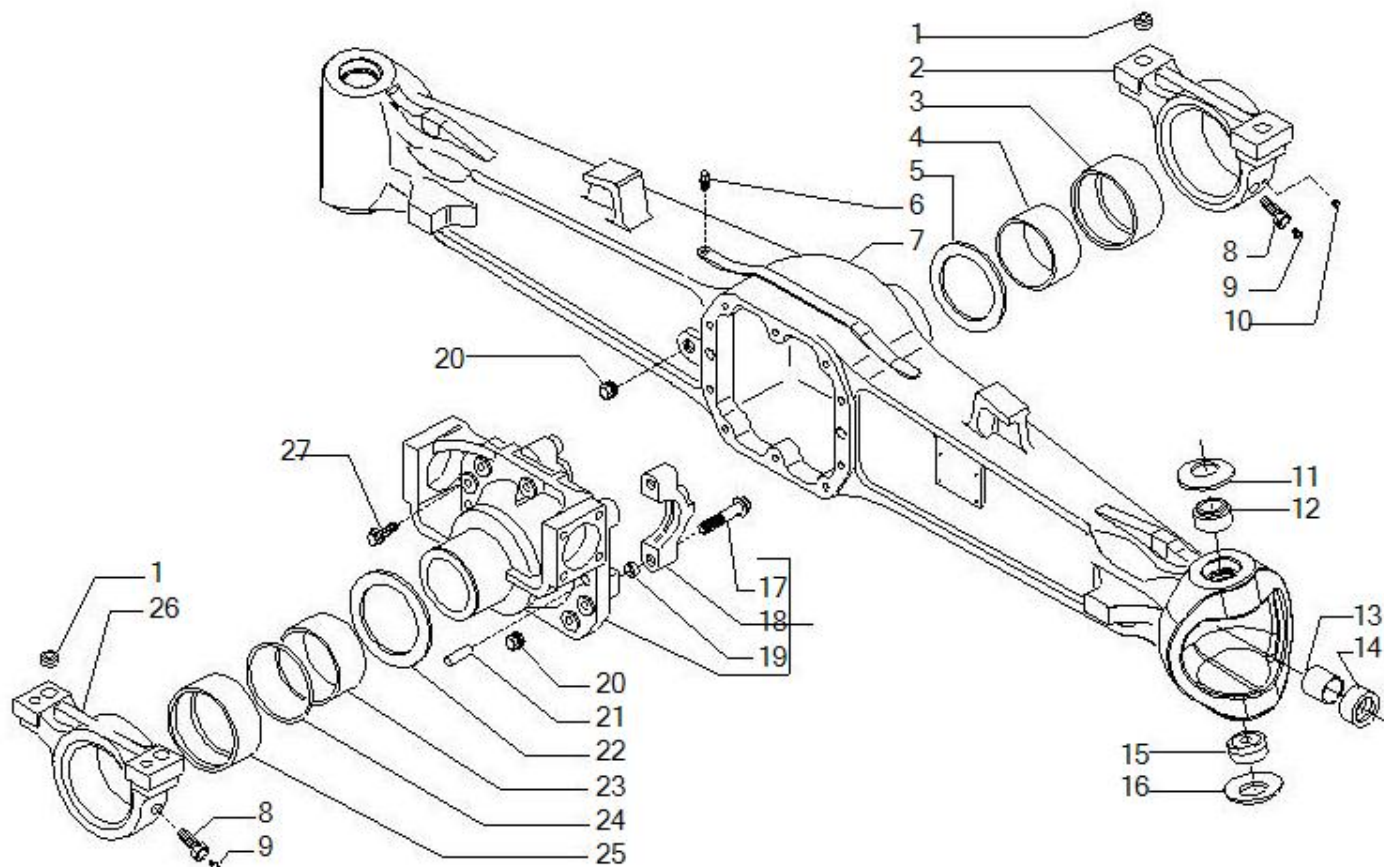


Spare parts catalogue

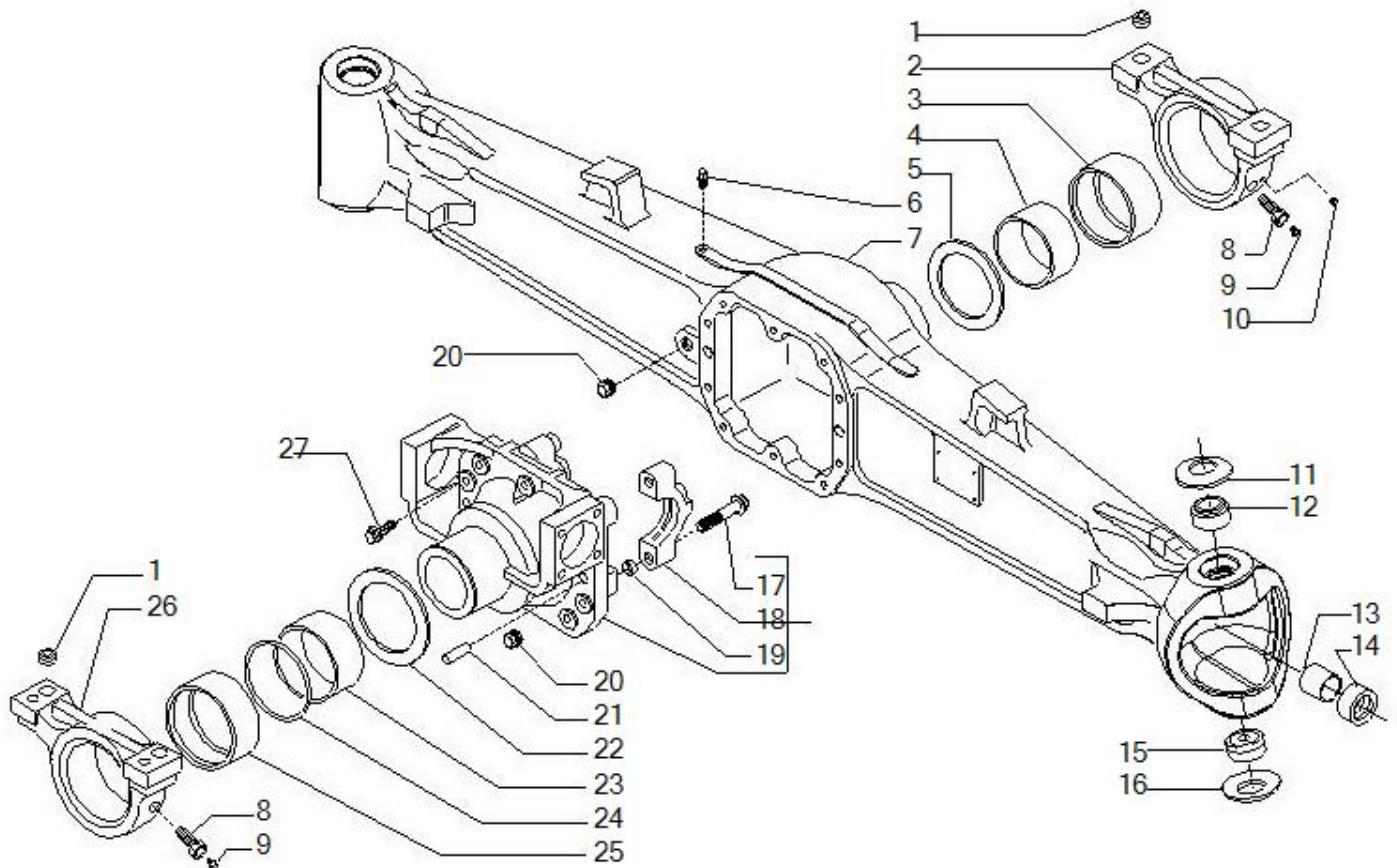
AXLE 26.16_(CM9561)

REF: 150189

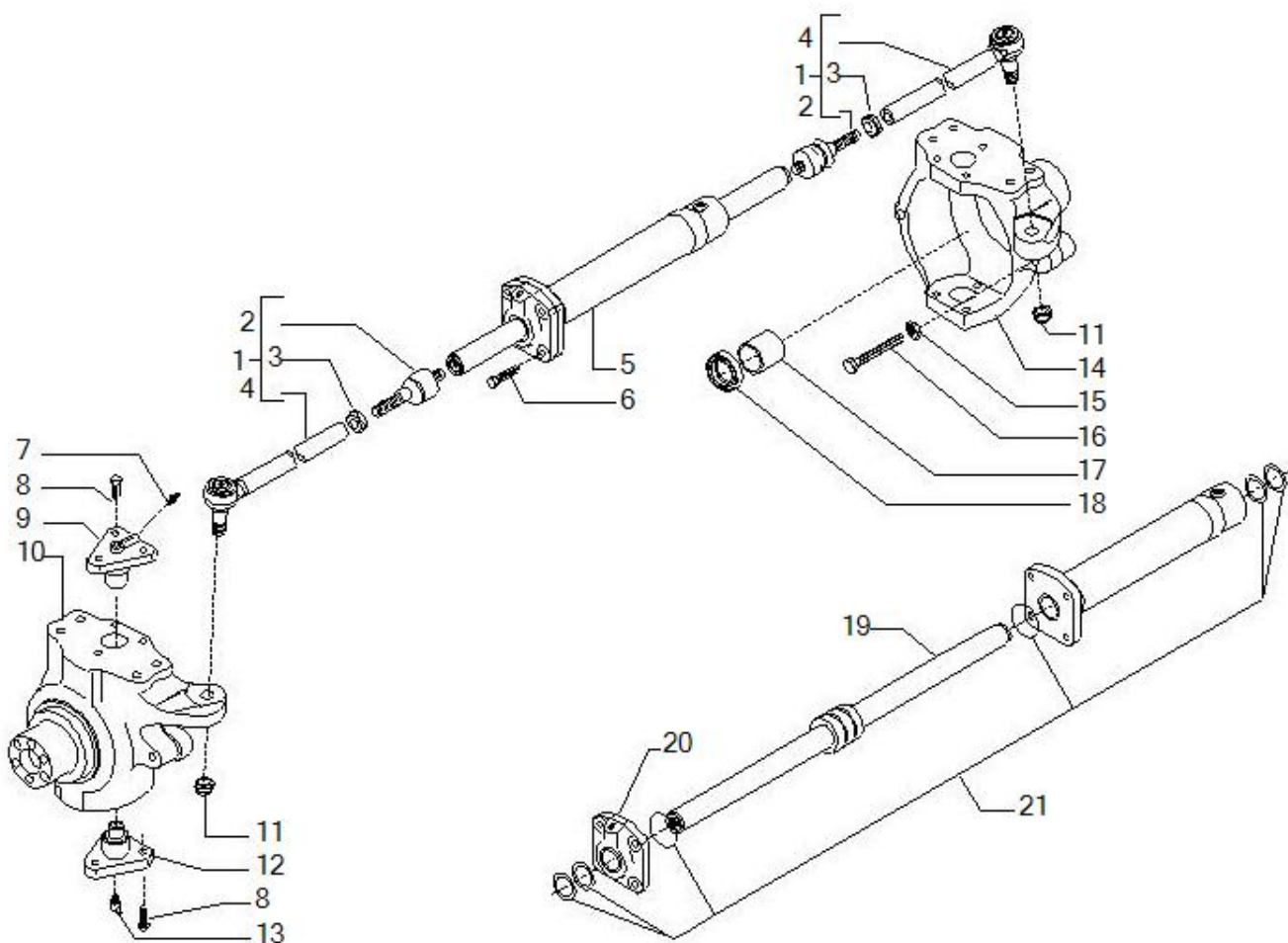
- 1.1 Axle housing**
- 2.1 Swivel housings and steering cylinder**
- 3.1 Bevel gear set (ref 150188)**
- 4.1 Bevel gear set (ref 150189)**
- 5.1 Differential**
- 6.1 Double U-joint**
- 7.1 Wheel hub**
- 8.1 Final reduction**



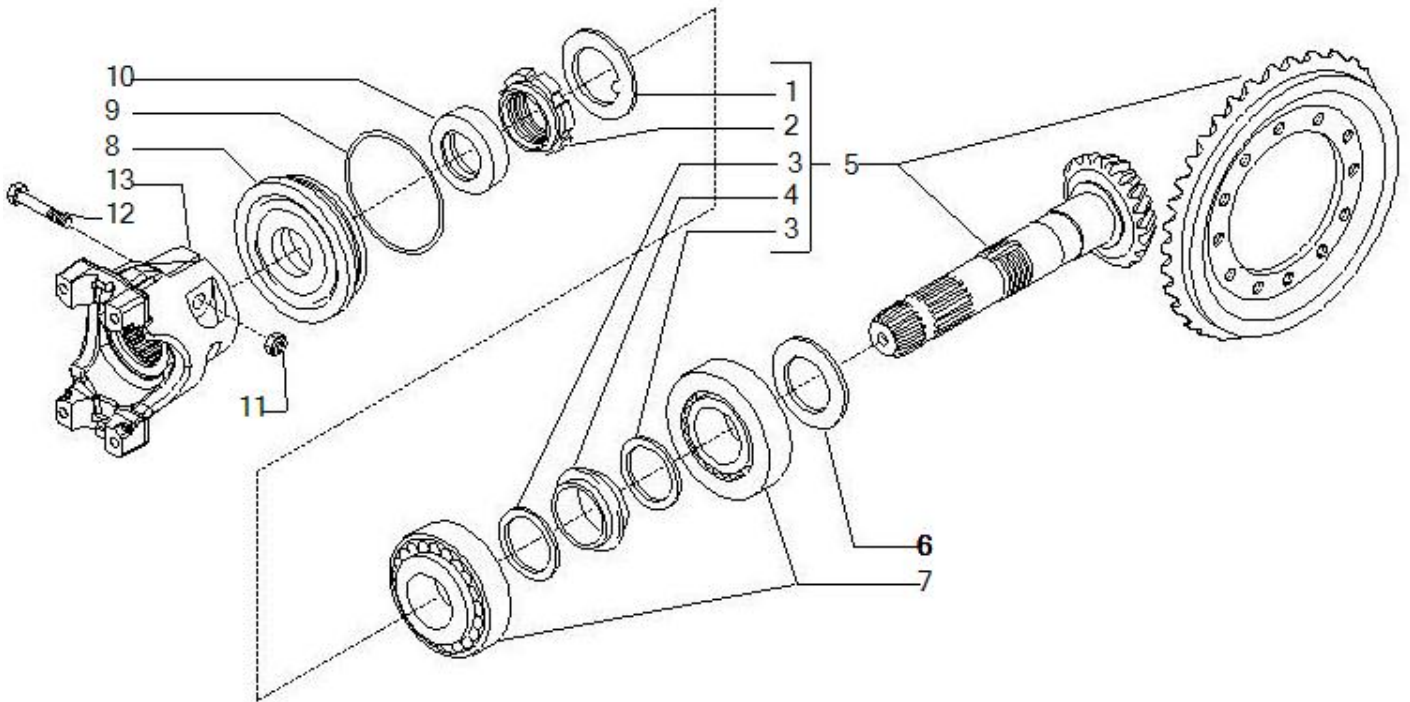
Pos	Ref	Qty	Description	Kit	Note
	072235	4	Centering bush	122964	
	126022	4	HEX HEAD FLANGE SCREW M14X2X75 12.9 GRIF	122964	
1	116529	4	BUSH 30X21X16.5		
2	119372	1	AXLE SUPPORT		
3	101575	1	SWING BUSHING 115X125X42		
4	101565	1	SWING BUSHING 105X115X44		
5	115776	1	THRUST SHOE 105.5X145X5		
6	104988	1	BREATHER M10X1		
7	150205	1	BEAM SI 26.16 (370645)		
8	116530	2	DRILLED SCREW		
9	024258	2	Greaser nipple M8x1		
10	021580	1	Plug M8x1		
11	128633	2	BELLEVILLE WASHER 71x36x2.5		
12	045168	2	KING PIN BUSH 35X52X20		
13	109972	2	BUSHING 35X39X35		
14	134363	2	SEAL RING 35X52X16 75 FKM SF6		
15	045161	2	SPHERICAL BALL 28X52X16 (GE28SX)		
16	128630	2	BELLEVILLE WASHER 70x47.5x1		
17	126022	4	HEX HEAD FLANGE SCREW M14X2X75 12.9 GRIF		
18	122964	1	I.S.C.DIFF.SUPPORT (381486)		
19	072235	4	Centering bush		
20	092270	2	Oil plug M22x1,5		
21	087660	2	Pin		
22	124591	1	THRUST SHOE 115.5X154X5		
23	124592	1	SWING BUSHING 115X125X44		



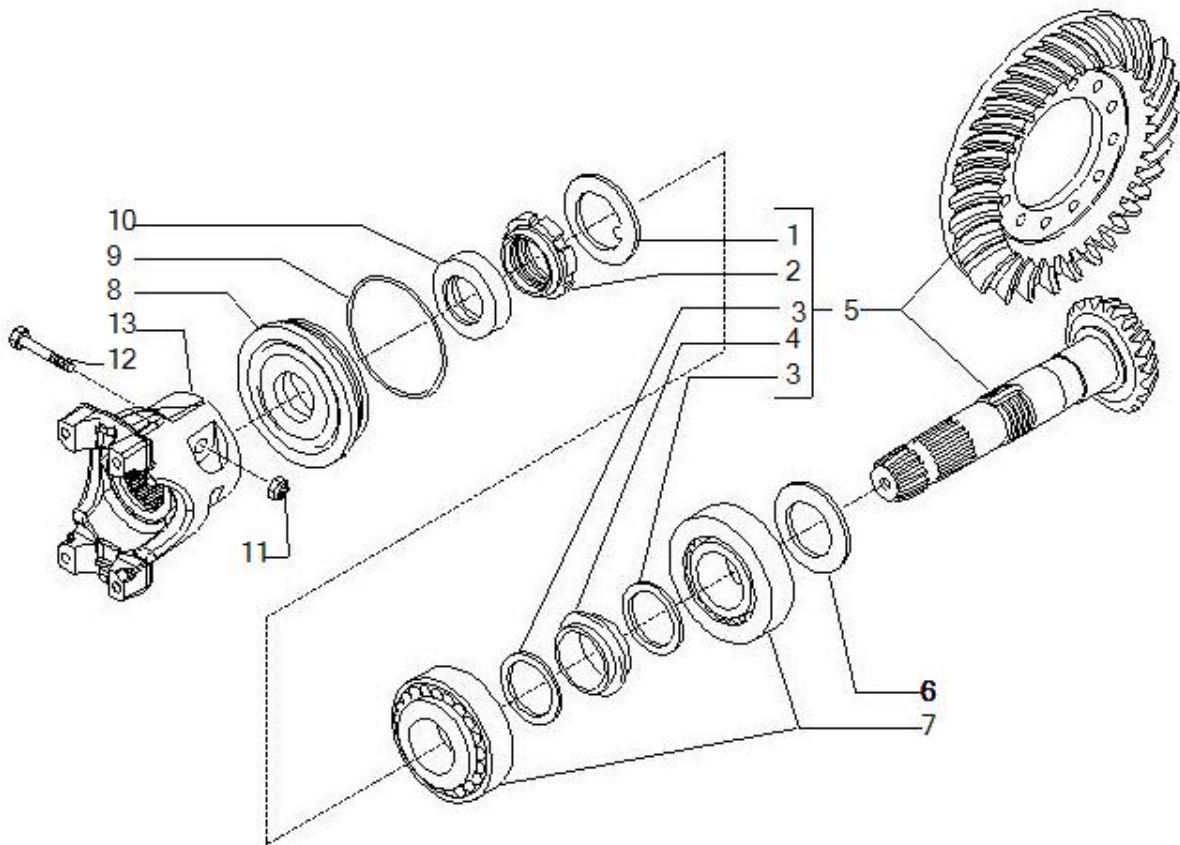
Pos	Ref	Qty	Description	Kit	Note
24	028498	1	O.ring		
25	123475	1	SWING BUSHING 125X135X42		
26	380396	1	AXLE SUPPORT		
27	125827	10	HEX HEAD FLANGE SCREW M12X1.75X29 12.9 C		



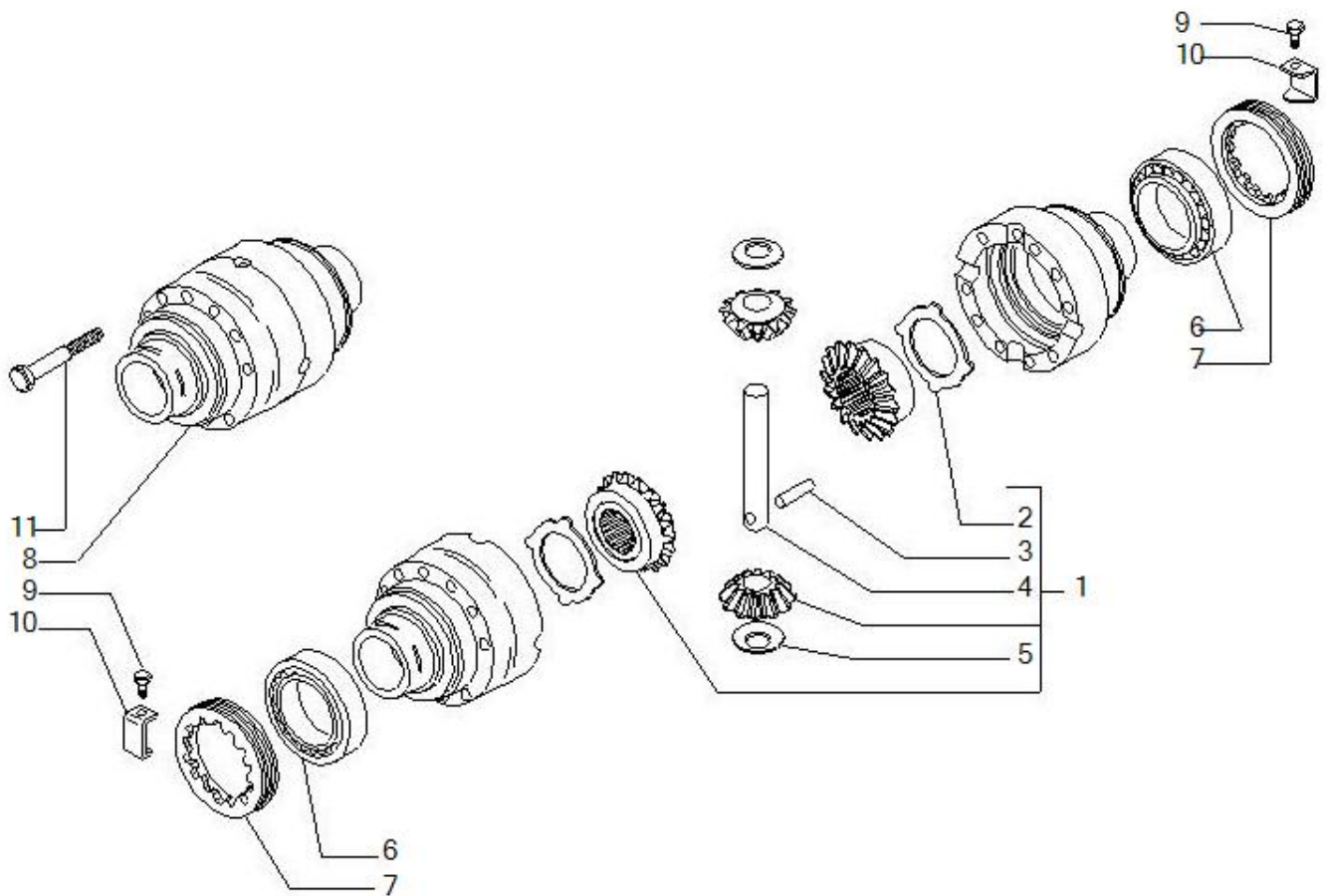
Pos	Ref	Qty	Description	Kit	Note
1	145158	2	STEERING ROD L376 D26		
2	350440	2	BALL JOINT DX 38 [145158	
3	022183	2	HEXAGON NUT UNI 5589 M18X1.5 6S	145158	
4	352680	2	BALL JOINT TIE ROD D30	145158	
5	130167	1	STEERING CYLINDER 63X38X242		
6	128534	4	SELF-LOCKING SCREW M12X45 10.9		
7	024210	2	LUBRIFICATING NIPPLES UNI 7663 A M6X16		
8	126922	12	SELF-LOCKING SCREW M14X2X35 10.9		
9	128880	2	SWIVEL HOUSING KING PIN (017577)		
10	149147	1	SWIVEL HOUSING LH (10474)		
11	022437	2	SELF-LOCKING NUT UNI 7474 M18X1.5 8		
12	128881	2	SWIVEL HOUSING KING PIN (17576)		
13	024211	2	Greaser nipple M6x1		
14	149146	1	SWIVEL HOUSING RH (10473)		
15	022129	2	HEXAGON NUT UNI 5589 M16 8		
16	124748	2	HEX HEAD SCREW UNI 5739 M16X100 STEERING		
17	125390	2	BUSHING AB C 45X50X35 P		
18	144485	2	COMBI RING 45X60X16 SF8		
19	049135	1	Rod	130167	
20	049121	1	Cylinder head	130167	
21	049122	1	Oil seal kit	130167	



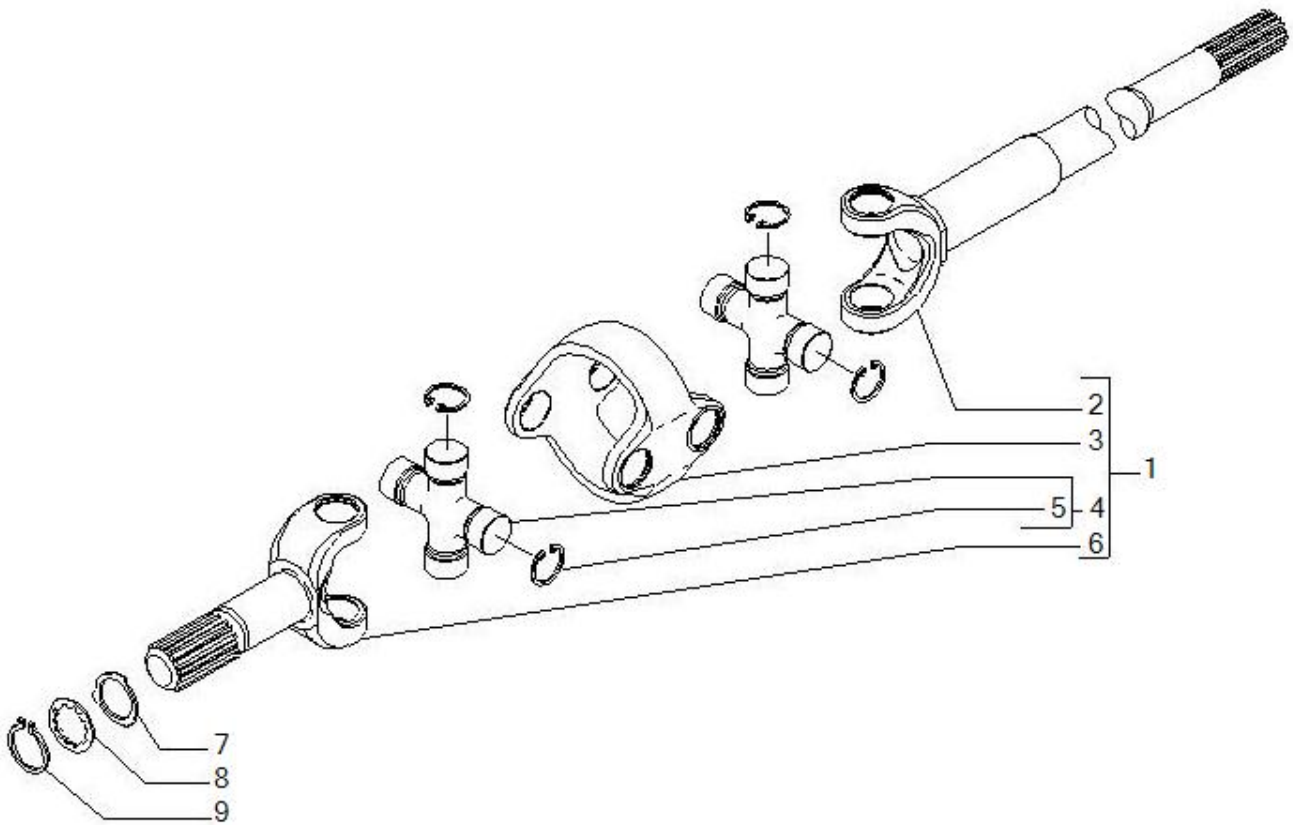
Pos	Ref	Qty	Description	Kit	Note
1	113717	1	SAFETY WASHER	066134	
2	115054	1	RING NUT M40X1.5	066134	
3	125829	2	THRUST SHOE 40.5X50X2	066134	
4	125806	1	ELASTIC SPACER 45X42X22.7	066134	
5	066134	1	Bevel gear/Pinion set		
7	027350	2	Bearing		
8	129929	1	COVER PARAOLIO (11089)		
9	028212	1	O.ring		
10	134363	1	SEAL RING 35X52X16 75 FKM SF6		
11	021105	2	Bolt M10x60		
12	022411	2	Nut M10x1.25		
13	132707	1	PM FLANGE END YOKE 1410		



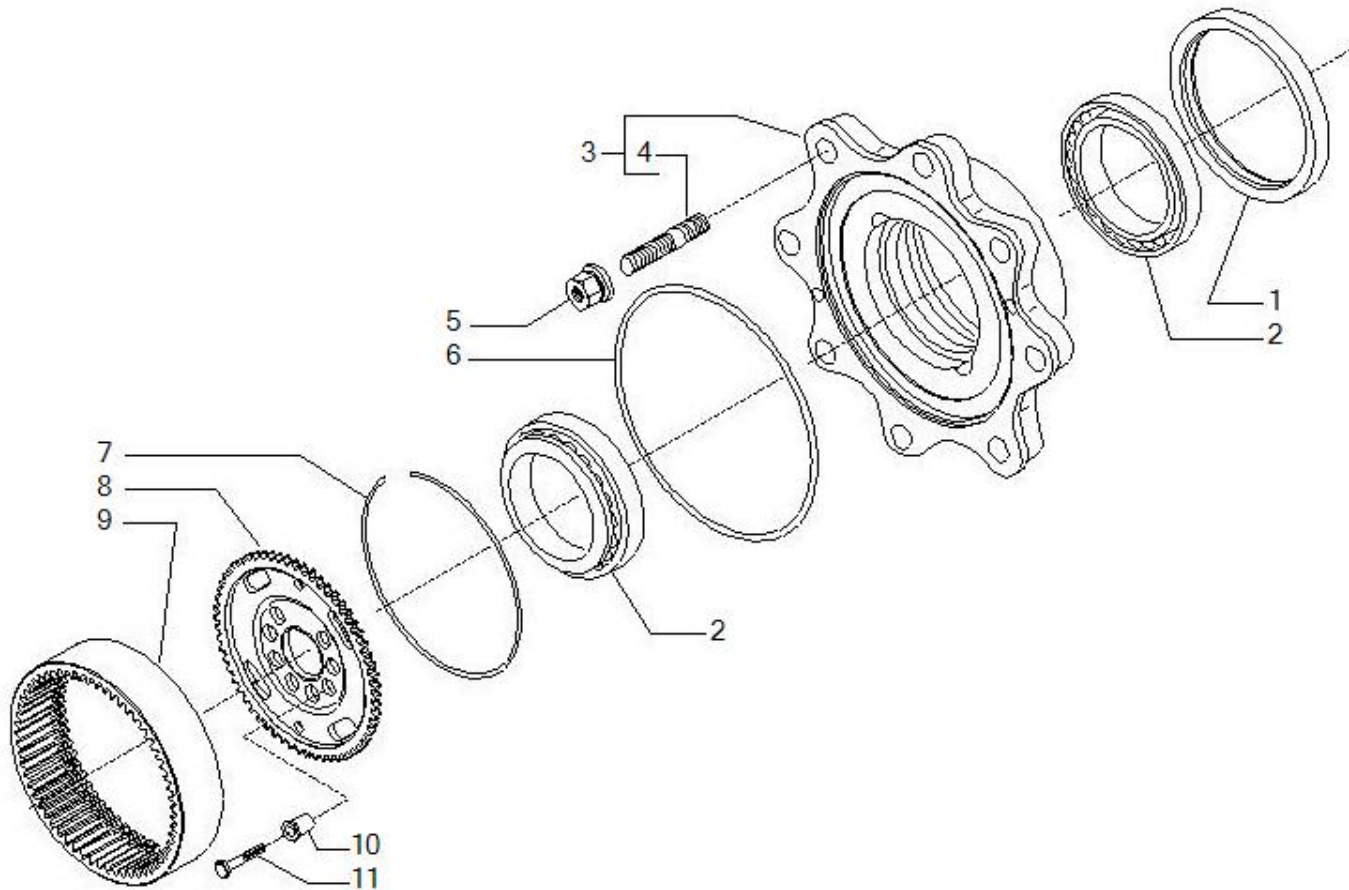
Pos	Ref	Qty	Description	Kit	Note
1	113717	1	SAFETY WASHER	066134	
2	115054	1	RING NUT M40X1.5	066134	
3	125829	2	THRUST SHOE 40.5X50X2	066134	
4	125806	1	ELASTIC SPACER 45X42X22.7	066134	
5	066134	1	Bevel gear/Pinion set		
7	027350	2	Bearing		
8	129929	1	COVER PARAOLIO (11089)		
9	028212	1	O.ring		
10	134363	1	SEAL RING 35X52X16 75 FKM SF6		
11	021105	2	Bolt M10x60		
12	022411	2	Nut M10x1.25		
13	132707	1	PM FLANGE END YOKE 1410		



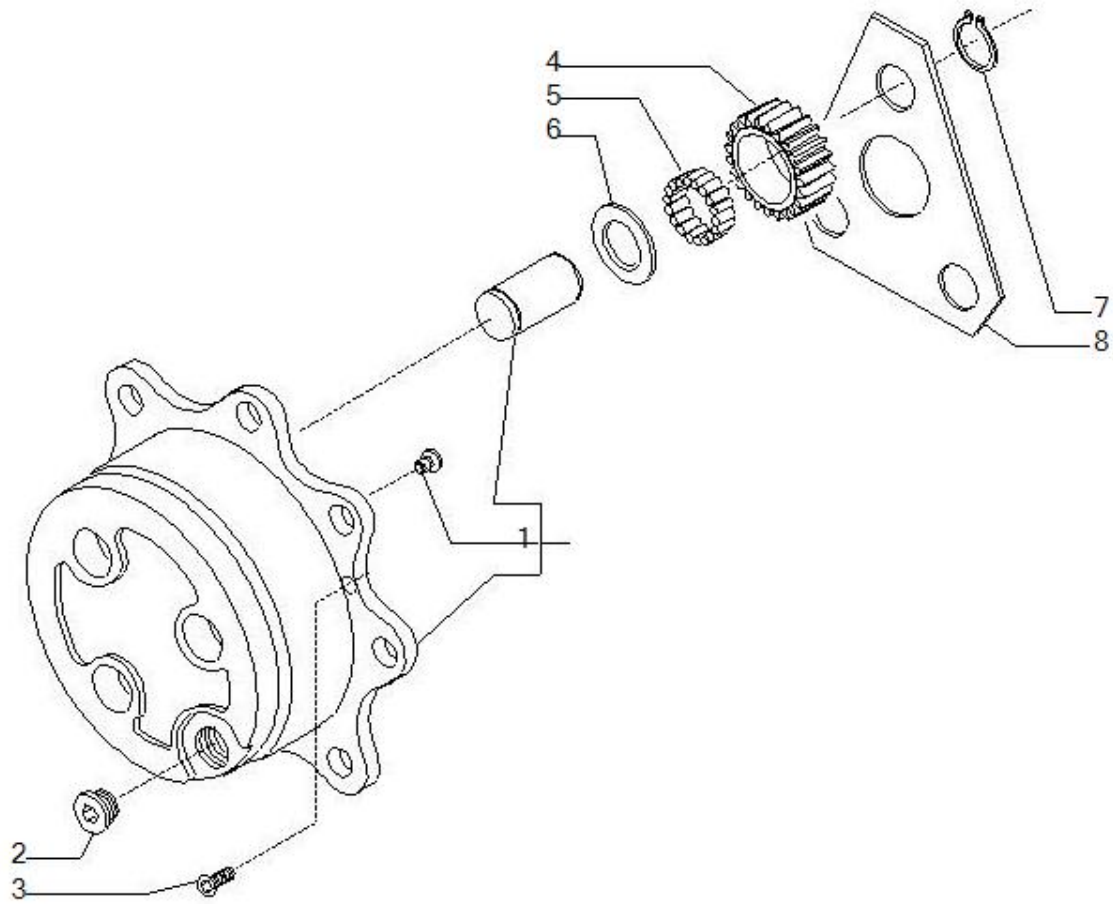
Pos	Ref	Qty	Description	Kit	Note
1	066161	1	Differential kit		
2	120361	2	COUNTERPLATE Diff. locking SP. 1.5	066161	
3	116451	1	PARALLEL PIN UNI 1707 7X40 ACCIAIO	066161	
4	115731	1	DIFF.PLANET.GEAR PIN L130 D22	066161	
5	115730	2	SPHERICAL WASHER	066161	
6	027309	2	Bearing		
7	107400	2	RING NUT M94X2 (16988)		
8	137972	1	COMPLETE DIFF.HOUSING		
9	128440	2	SELF-LOCKING SCREW M6X10 10.9		
10	107778	2	RING NUT STOP		
11	125552	12	HEX HEAD SCREW M10X1.5X75 12.9 ATB		



Pos	Ref	Qty	Description	Kit	Note
1	149148	2	DOUBLE U-JOINT B310 55 D		
2	048686	2	Fork (diff. Side)	149148	
3	046196	2	Central body	149148	
4	046252	4	Spider	149148	
6	048685	2	Fork (wheel hub)	149148	
7	139657	2	THRUST WASHER		
8	134197	2	THRUST WASHER		
9	024799	2	Snap ring		



Pos	Ref	Qty	Description	Kit	Note
1	047703	2	Oil seal ring		
2	045181	4	TAPE ROLLER THRUST BEARING 045181		
3	066541	2	Wheel hub kit		
4	107091	32	STUD R18X2.5 - D18X1.5 - L82.5 - 10.9	066541	
5	121746	16	WHEEL NUT DIN 74361 M18X1.5 10		
6	028603	2	O.ring		
7	125344	2	CIRCLIP 188.7X3.5		
8	139453	2	EPIC. WHEEL CARRIER HUB		
9	125452	2	EPICYCLOIDAL RING GEAR Z60		
10	127994	16	CENTERING BUSH		
11	128658	16	SELF-LOCKING SCREW M10X45 10.9		



Pos	Ref	Qty	Description	Kit	Note
1	065587	2	Planetary carrier assy		
2	125280	2	MAGNETIC PLUG M30X2		
3	020490	4	Bolt		
4	125455	6	EPIC.PLANETARY GEAR Z23 M3 L30.6		
5	028299	18	Needle bearing (by tens)		
6	115634	6	FIFTH WHEEL 34.6X55X1.5		
7	024789	6	Snap ring		
8	123318	2	FIFTH WHEEL SATELLITI		