



## **Spare parts catalogue**

**AXLE 28.32M\_CM11785{{0001}}**

**REF: 644686**

**1.1 Axle housing**

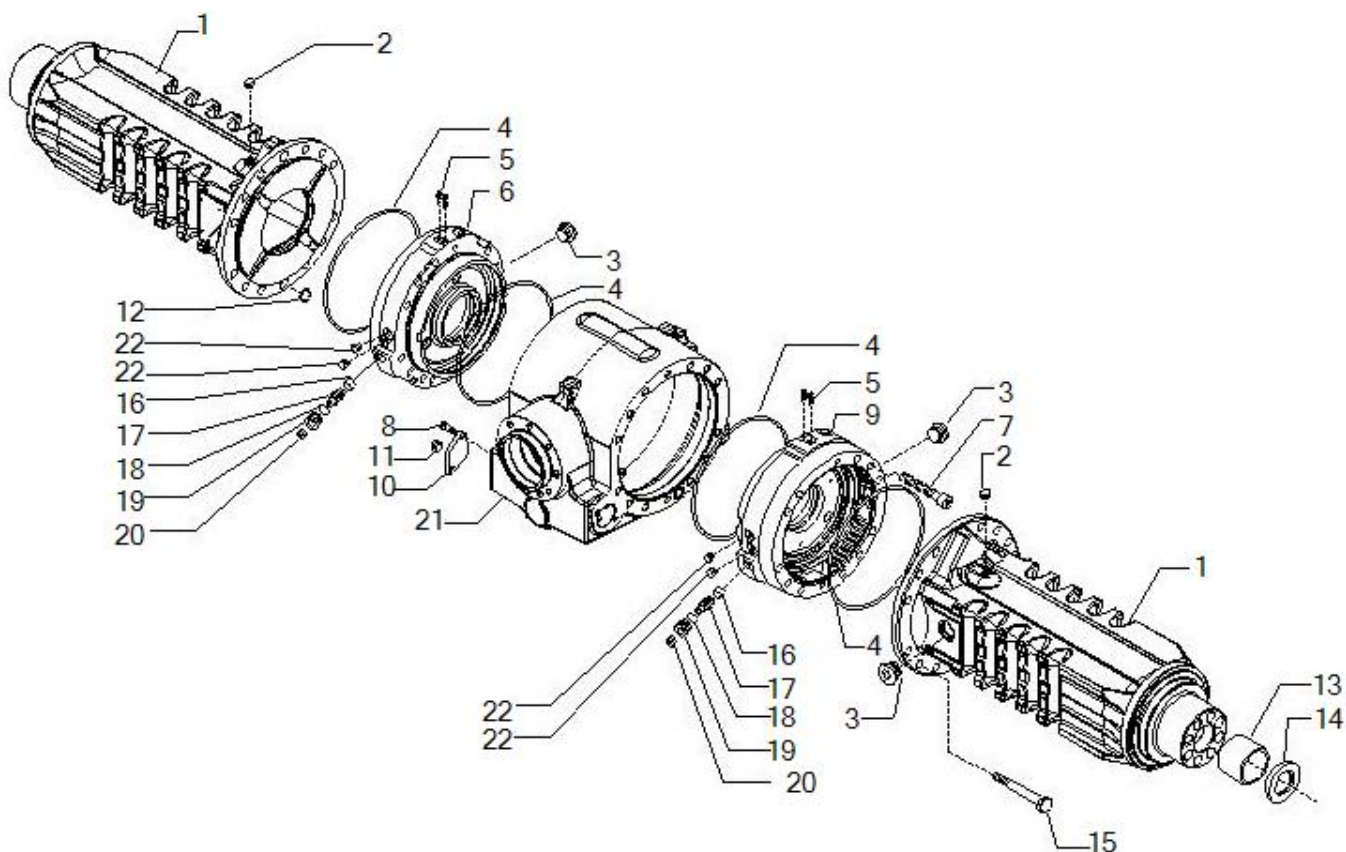
**2.1 Bevel gear set**

**3.1 Differential**

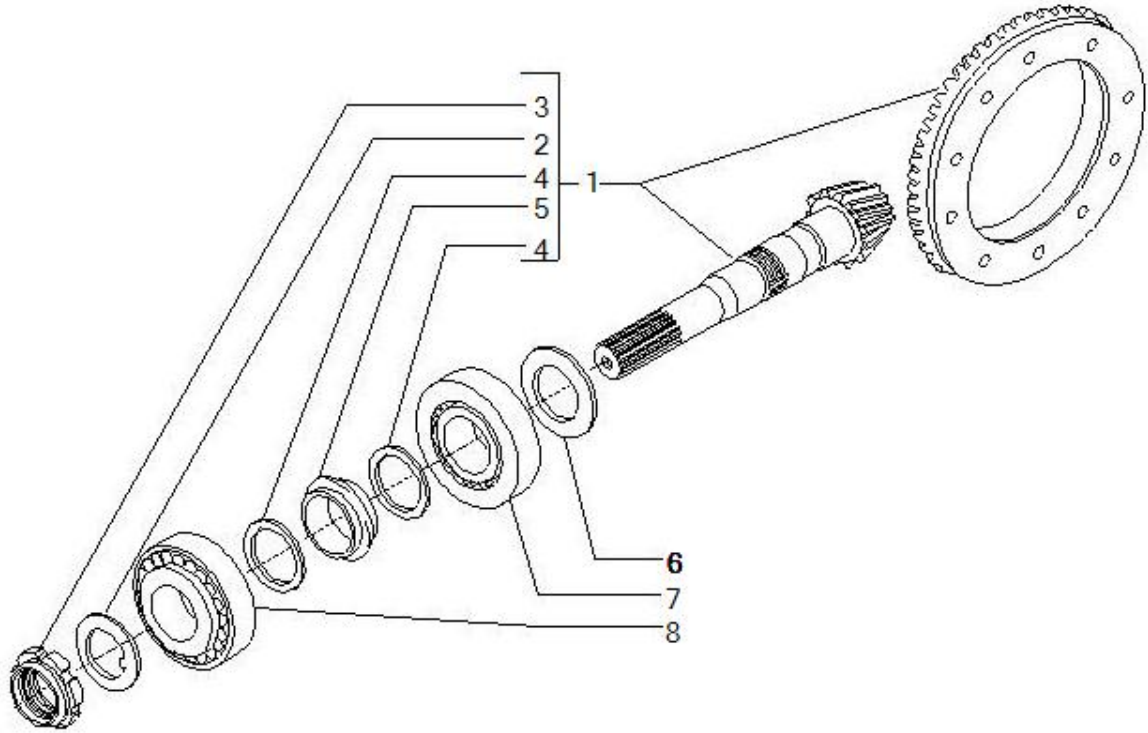
**4.1 Brakes**

**5.1 Wheel hub**

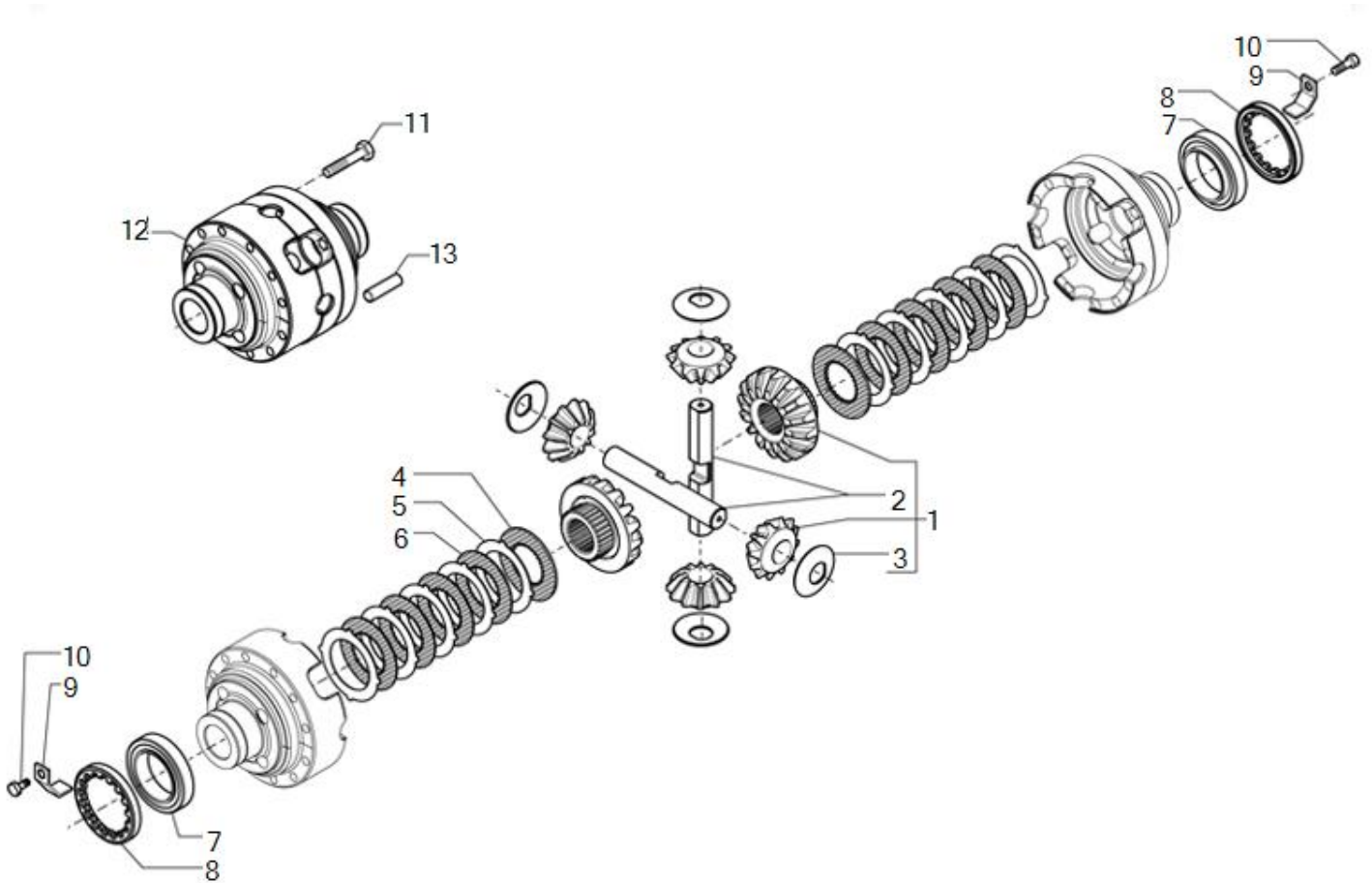
**6.1 Final reduction**



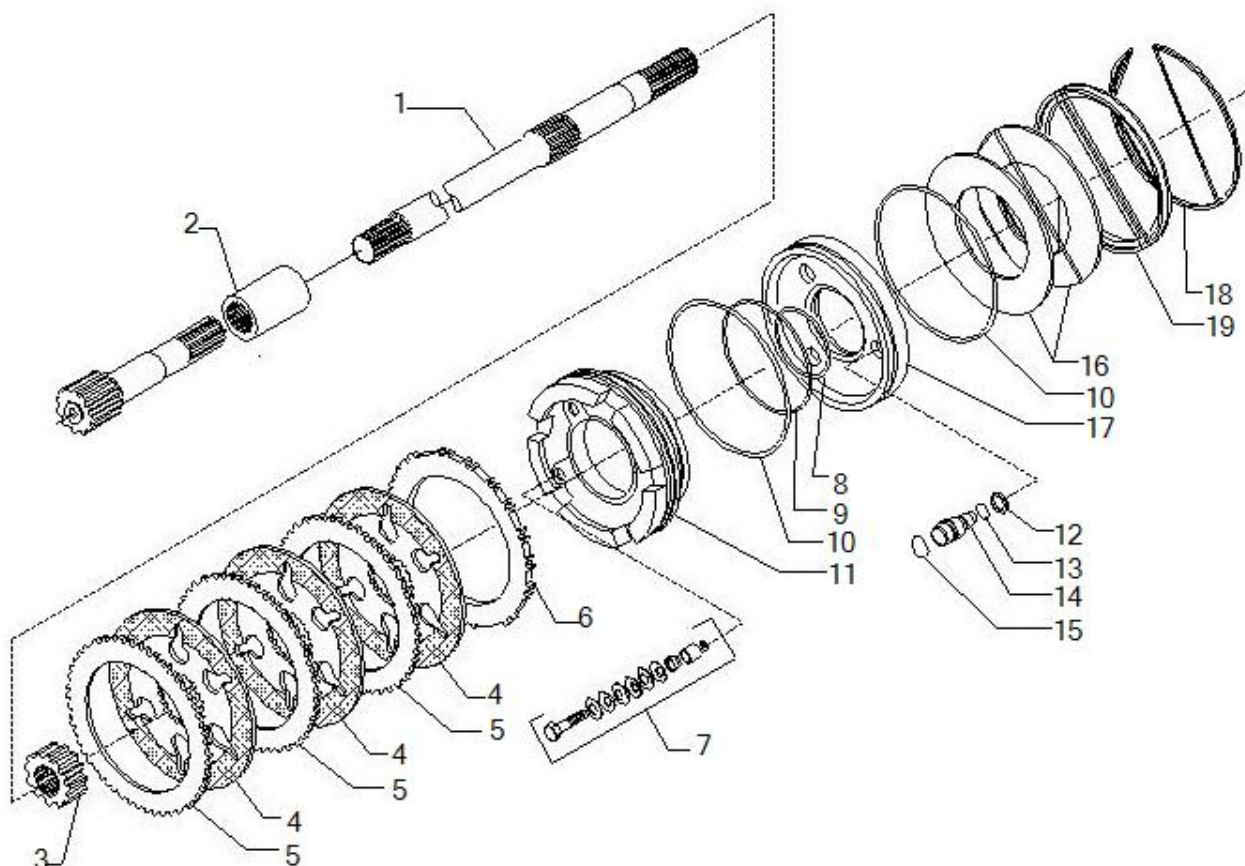
<b>Pos</b>	<b>Ref</b>	<b>Qty</b>	<b>Description</b>	<b>Kit</b>	<b>Note</b>
1	141227	2	BEAM TRUMPET RI (19940)		
2	21558	2	Plug M10x1		
3	125280	3	MAGNETIC PLUG M30X2		
4	28562	4	O.ring		
5	116792	4	BREATHER M10X1 105.3246.11		
6	140144	1	BRAKE CYLINDER LH (10755)		
7	21314	4	Bolt M12x130		
8	20781	2	Bolt M8x25		
9	140145	1	BRAKE CYLINDER RH (10755)		
10	130033	1	CILYNDER SUPPORT (19112)		
11	128050	1	TAPERED PLUG M24X1.5 UNI 5.8		
12	28500	8	O.ring		
13	131954	2	BUSHING 38X42X38		
14	25311	2	Seal ring		
15	21166	22	Bolt M14x140		
16	139955	6	PIN		
17	136152	6	SCREW M16X1.5		
18	28534	6	O.ring		
19	139922	6	SCREW M22X1.5 SPECIALE		
20	21567	6	Plug M16x1.5		
21	145226	1	BEAM CENTRAL BODY (19938)		
22	30740	2	Plug M10x1		



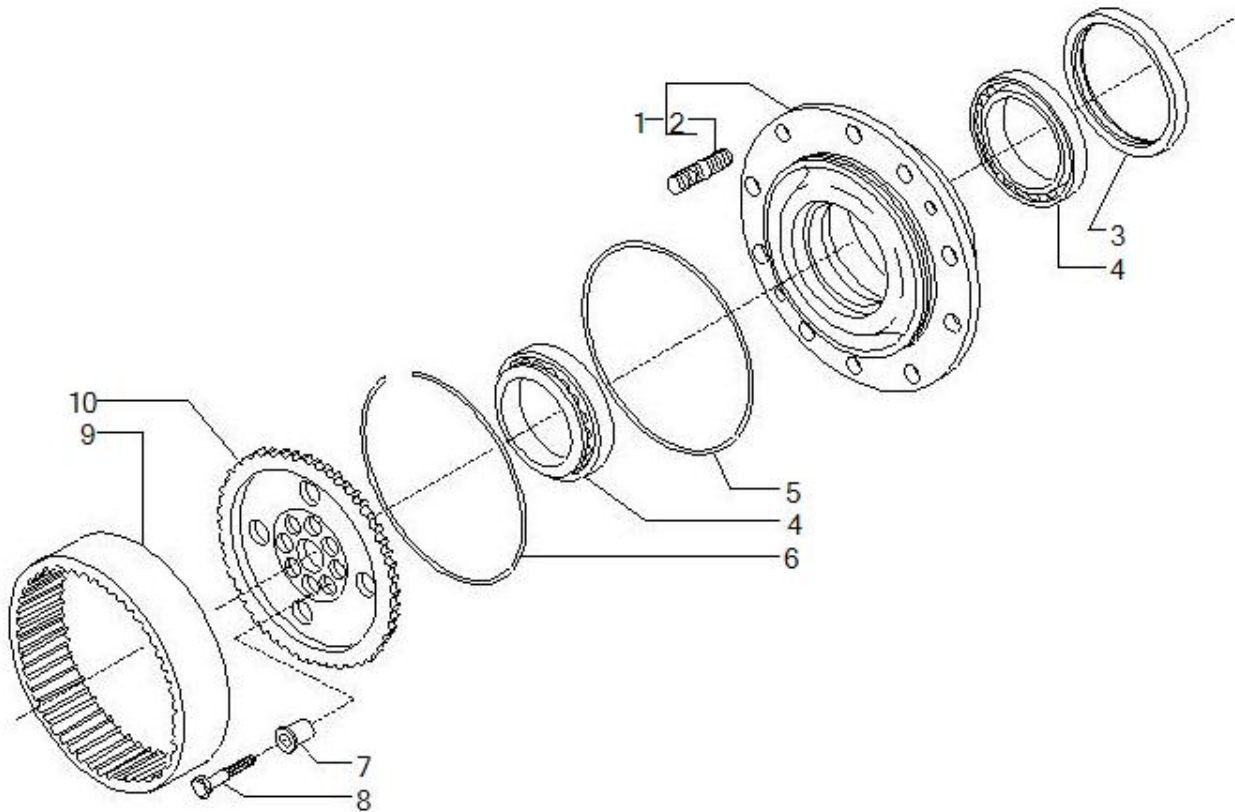
<b>Pos</b>	<b>Ref</b>	<b>Qty</b>	<b>Description</b>	<b>Kit</b>	<b>Note</b>
1	66053	1	Bevel gear/Pinion set 11/37		
2	113717	1	SAFETY WASHER	66053	
3	115054	1	RING NUT M40X1.5	66053	
4	125829	2	THRUST SHOE 40.5X50X2	66053	
5	126369	1	ELASTIC SPACER 45X42X20	66053	
7	27395	1	Bearing		
8	27350	1	Bearing		



Pos	Ref	Qty	Description	Kit	Note
1	68548 vedi 0684	1	Differential kit		
4	113883	2	DISC BLOC.DIF.		
5	113880	10	COUNTERPLATE BLOCC.DIFF.		
6	113879	8	FRICTION PLATE BLOCC.DIFF.		
7	27256	2	Bearing		
8	107400	2	RING NUT M94X2 (16988)		
9	136156	2	RING NUT STOP		
10	128440	2	SELF-LOCKING SCREW M6X10 10.9		
11	125551	10	SELF-LOCKING SCREW M12X1.75X90 12.9		
12	117618	1	COMPLETE DIFF.HOUSING COMPL. SFERICO 134		
13	117569	2	PARALLEL PIN		

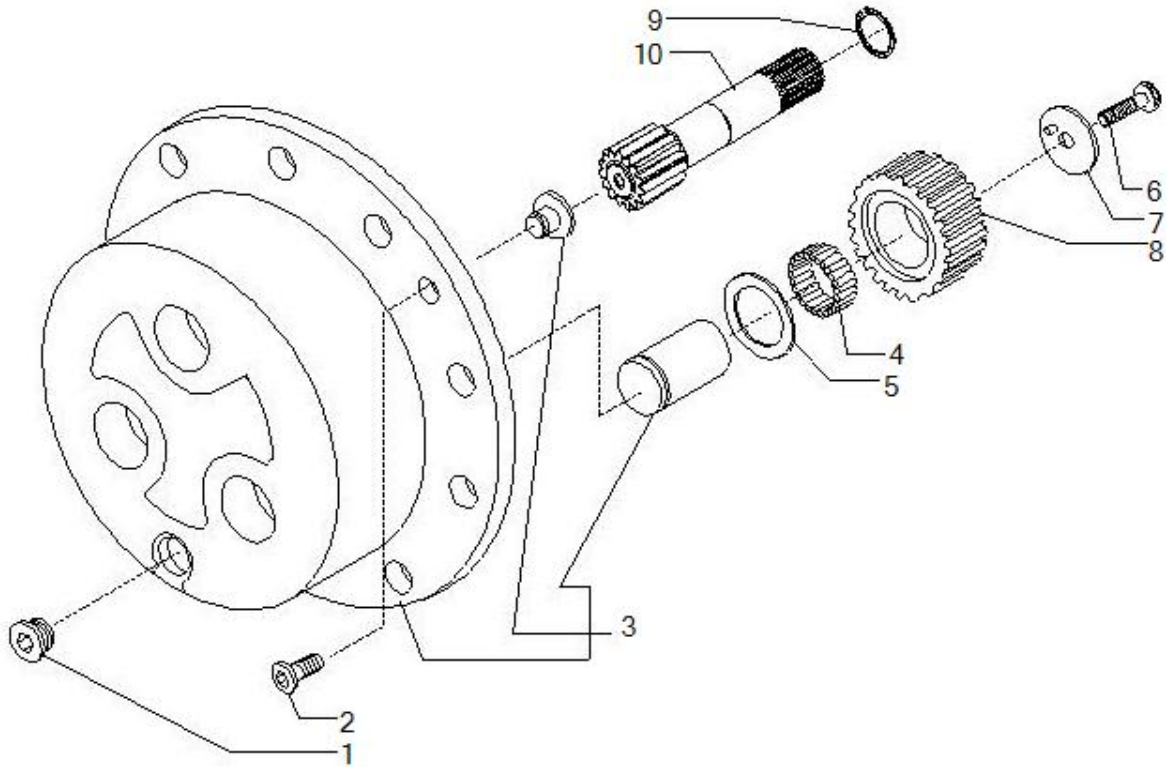


<b>Pos</b>	<b>Ref</b>	<b>Qty</b>	<b>Description</b>	<b>Kit</b>	<b>Note</b>
1	138737	2	AXLE SHAFT		
2	131299	2	LINK BUSH		
3	136648	2	DISC TOW SLEEVE		
4	143874	6	BRAKE DISC N 611-2		
5	136155	6	COUNTERPLATE Brake		
6	136644	2	COUNTERPLATE Brake (11319)		
7	66573	2	Kit self adjust		
8	141938	2	O-RING 117.07x3.53 VITON 90 SHORE		
9	141939	2	O-RING 164.69x3.53		
10	141937	4	O-RING 202.79x3.53 VITON 90 SHORE		
11	135966	2	POSITIVE BRAKE PISTON (11622)		
12	24782	6	Washer		
13	141936	6	O-RING 2037 9.25x1.78 VITON 75 SHORE A		
14	145815	6	THRUST PIVOT		
15	141935	6	O-RING 3062 15.54x2.62 VITON 90 SHORE		
16	135964	4	BELLEVILLE WASHER 210x120x6		
17	135965	2	NEGATIVE BRAKE PISTON (11621)		
18	135572	2	CIRCLIP 238X3.2 S64		
19	135998	2	RING		



<b>Pos</b>	<b>Ref</b>	<b>Qty</b>	<b>Description</b>	<b>Kit</b>	<b>Note</b>
1	68056	1	Wheel hub kit		
2	116957	10	STUD R22x2.5 - D22x1.5 - L80 - 10.9	68056	
3	47702	2	Seal ring		
4	45180	4	TAPE ROLLER THRUST BEARING 158.75X109.53		
5	28579	2	O.ring		
6	125233	2	CIRCLIP 238.9X16X3.5		
7	125190	16	CENTERING BUSH		
8	119906	16	SELF-LOCKING SCREW M14X1.5X65 10.9		
9	125186	2	EPICYCLOIDAL RING GEAR Z77 (16768)		
10	139633	2	EPIC. WHEEL CARRIER HUB (13057)		





<b>Pos</b>	<b>Ref</b>	<b>Qty</b>	<b>Description</b>	<b>Kit</b>	<b>Note</b>
1	125280	2	MAGNETIC PLUG M30X2		
2	20490	4	Bolt		
3	66055	2	Wheel carrier assy		
4	28297	168	Bearing needles(by tens)		
5	128731	6	FIFTH WHEEL 40X60X1.5		
6	125229	6	SELF-LOCKING SCREW M10X1.25X50 10.9		
7	644650	6	THRUST SHOE 11X65X6 C67 UNI 7064-82		
8	644723	6	EPIC.PLANETARY GEAR Z31 M3 L45.6		
9	24877	2	Snap ring		
10	138940	2	AXLE SHAFT WITH GEAR L213 Z13		