

O&K

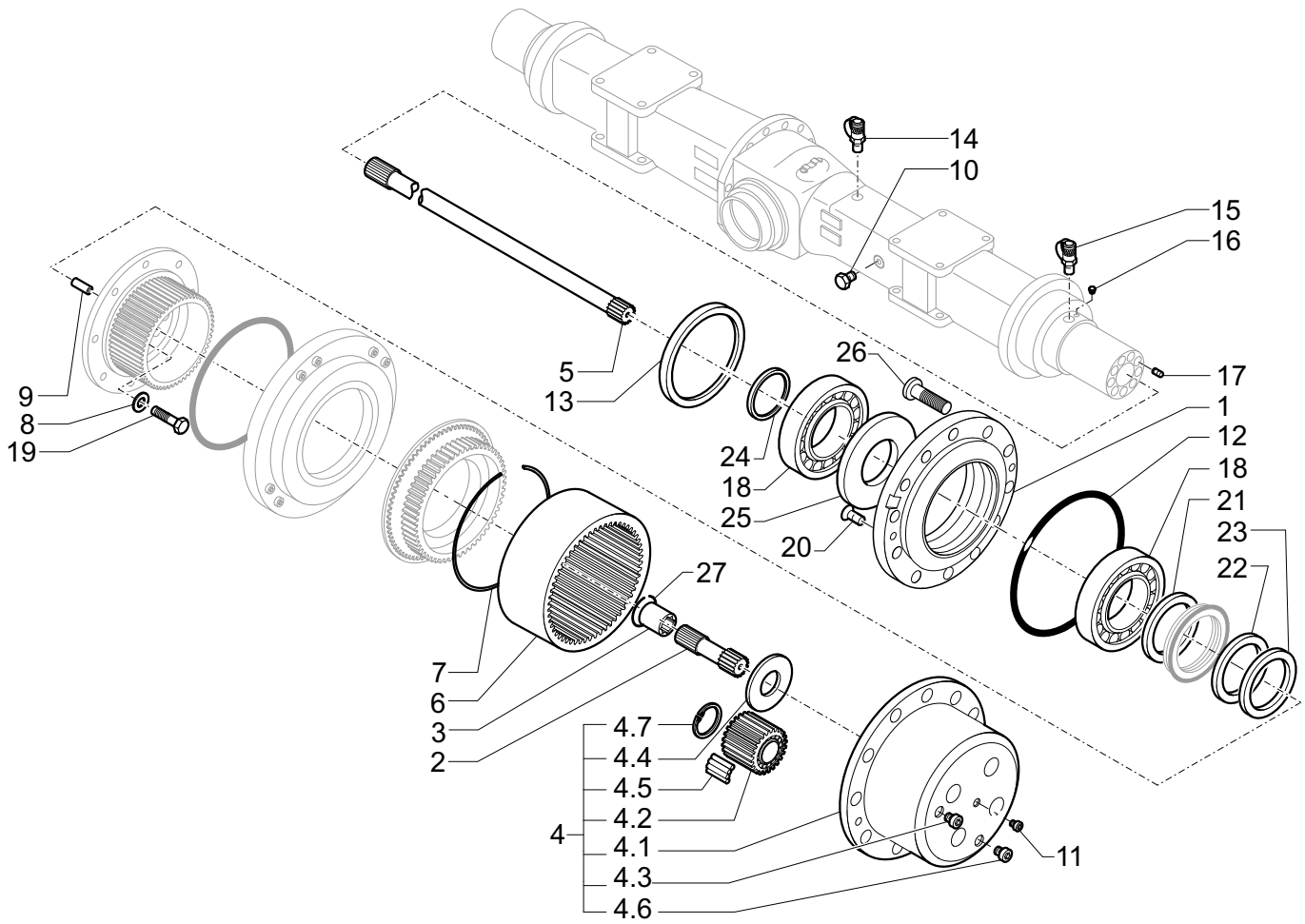
Antriebstechnik

Ersatzteilkatalog
Spare Parts List

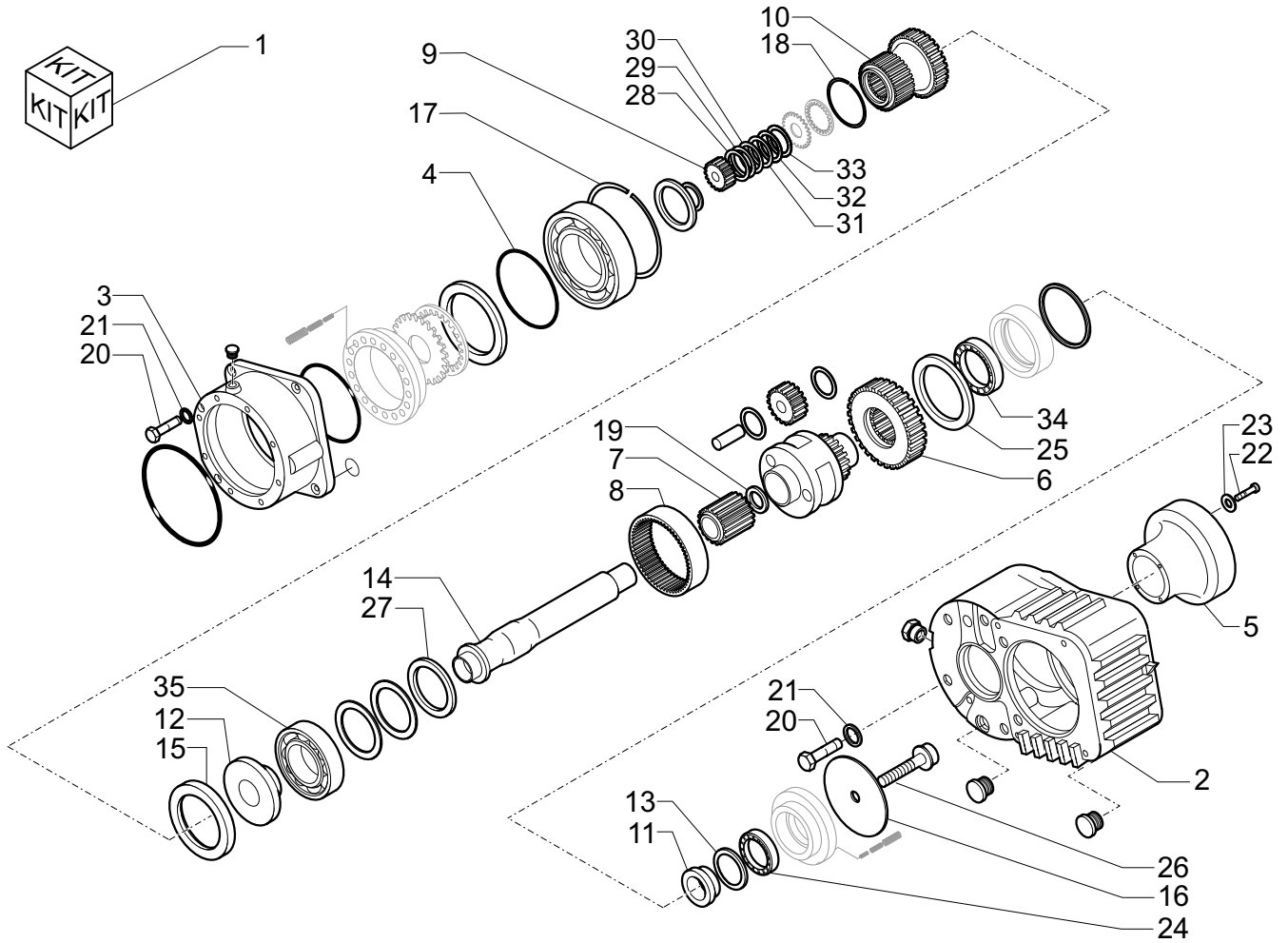
ACHSE ASP125 20+30KM/H
ASP125 20+30KM/H AXLE
REF. 857482 - 2815812

INDEX INDEX

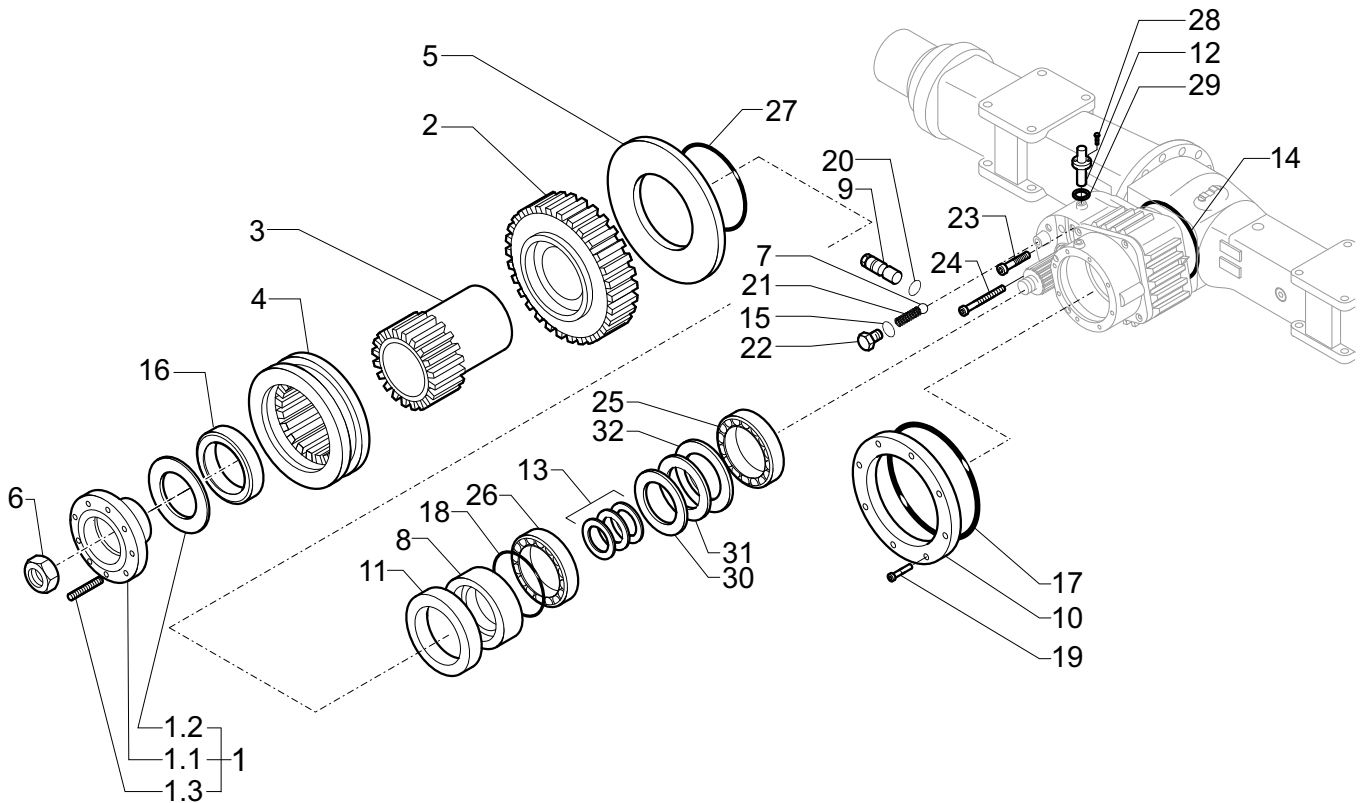
- 1.0.0 Radnabe und planetentraeger
Wheel hub and planetary carrier
- 2.0.0 Kegelradsatz und differential
Bevel gear set and differential
- 3.0.0 Getriebe
Transmission
- 3.1.0 Getriebe
Transmission
- 4.0.0 Getriebe
Transmission
- 5.0.0 Motor
Motor
- 6.0.0 Bremse
Brake
- 7.0.0 Bremse
Brake



| Pos. | Ref. | Old Ref. | Q.ty | Benennung | Description | Kit | Note |
|------|--------|----------|------|---------------------|-------------------------|--------|------|
| 1 | | | 2 | Nabe | Hub | | |
| 2 | 834471 | 2809592 | 2 | Ritzel | Pinion gear | | |
| 3 | 836161 | 1717105 | 2 | Huelse | Sleeve | | |
| 4 | 862828 | 2815393 | 2 | Planetentraeger Kpl | Planetary carrier Assy | | |
| 4.1 | 834913 | 2815378 | 1 | Planetentraeger | Planetary carrier | 862828 | |
| 4.2 | 333771 | 2759339 | 4 | Stirnrad | Spur gear | 862828 | |
| 4.3 | 830809 | 2479494 | 1 | Verschlusschraube | Screw plug | 862828 | |
| 4.4 | 836165 | 1717194 | 1 | Scheibe | Washer | 862828 | |
| 4.5 | 830883 | 2759315 | 4 | Zylinderrollenlager | Cylinder roller bearing | 862828 | |
| 4.6 | 022292 | 2928053 | 1 | Verschlusschraube | Screw plug | 862828 | |
| 4.7 | 020031 | 0012479 | 4 | Sicherungsring | Circlip | 862828 | |
| 5 | 248096 | 2809595 | 2 | Welle | Shaft | | |
| 6 | 333995 | 2809586 | 2 | Hohlrad | Crown gear | | |
| 7 | 023181 | 2759348 | 2 | Sprengring | Snap ring | | |
| 8 | 833737 | 2759945 | 28 | Scheibe | Washer | | |
| 9 | 833749 | 2759976 | 28 | Buchse | Bushing | | |
| 10 | 830809 | 2479494 | 1 | Verschlusschraube | Screw plug | | |
| 11 | 832115 | 1637351 | 2 | Verschlusschraube | Screw plug | | |
| 12 | 831467 | 2900496 | 3 | O-Ring | O-Ring | | |
| 13 | 831492 | 2928269 | 2 | Dichtung | Gasket | | |
| 14 | 835898 | 8407490 | 2 | Entluefter | Breather | | |
| 15 | 830601 | 2247044 | 2 | Entluefter | Breather | | |
| 16 | 831635 | 7396295 | 2 | Schraubstopfen | Shoulder screw | | |
| 17 | 830283 | 0219632 | 4 | Dichtstopfen | Plug | | |
| 18 | 830924 | 2806837 | 4 | Kegelrollenlager | Roller bearing | | |
| 19 | 020330 | 0102807 | 28 | Schraube | Screw | | |
| 20 | 020653 | 0945541 | 4 | Zylinderschraube | Cylinder screw | | |
| 21 | 021831 | 2781753 | - | Passscheibe | Shim Ring | | |
| 22 | 020829 | 1725267 | - | Passscheibe | Shim Ring | | |
| 23 | 021797 | 2479537 | - | Passscheibe | Shim Ring | | |
| 24 | 024881 | 0012480 | 2 | Sicherungsring | Circlip | | |
| 25 | 834774 | 2814414 | 2 | Scheibe | Washer | | |
| 26 | | | 2 | Bundschraube | Stud | | |
| 27 | 024881 | 0012480 | 2 | Sprengring | Circlip | | |



| Pos. | Ref. | Old Ref. | Q.ty | Benennung | Description | Kit | Note |
|------|--------|----------|------|---------------------|-------------------------|-----|------|
| 1 | 862704 | 2809875 | 1 | Getriebe Kpl | Transmission assy | | |
| 2 | 838205 | 2814435 | 1 | Gehaeuse | Housing | | |
| 3 | 855177 | 2807588 | 1 | Flansch | Flange | | |
| 4 | 834103 | 2807583 | 1 | O-Ring | O-Ring | | |
| 5 | 834344 | 2808974 | 1 | Abdeckblech | Protection | | |
| 6 | 334041 | 2807298 | 1 | Stirnrad | Spur gear | | |
| 7 | 334040 | 2494603 | 1 | Ritzel | Pinion gear | | |
| 8 | 837725 | 2494604 | 1 | Hohlrad | Crown gear | | |
| 9 | 334044 | 2806194 | 1 | Huelse | Sleeve | | |
| 10 | 334042 | 2807573 | 1 | Koppelrad | Gear | | |
| 11 | 834032 | 2807257 | 1 | Buchse | Bushing | | |
| 12 | 833832 | 2806196 | 1 | Druckstueck | Pressur plate | | |
| 13 | 834436 | 2809435 | 1 | Huelse | Sleeve | | |
| 14 | 834654 | 2810631 | 1 | Shaltstange | Control rod | | |
| 15 | 833831 | 2806195 | 1 | Druckring | Pressur ring | | |
| 16 | 834035 | 2807271 | 1 | Scheibe | Disk washer | | |
| 17 | 020052 | 0012567 | 1 | Sprengring | Circlip | | |
| 18 | 023142 | 2494436 | 1 | Sprengring | Circlip | | |
| 19 | 833467 | 2494611 | 1 | Scheibe | Disk washer | | |
| 20 | 021188 | 0012969 | 4 | Schraube | Screw | | |
| 21 | 835597 | 4174389 | 4 | Scheibe | Disk washer | | |
| 22 | 020610 | 0783624 | 3 | Zylinderschraube | Cylinder screw | | |
| 23 | 020594 | 0725726 | 3 | Federring | Snap Ring | | |
| 24 | 023238 | 2929216 | 1 | Kegelrollenlager | Roller bearing | | |
| 25 | 024947 | 0012551 | 1 | Sicherungsring | Snap ring | | |
| 26 | 834342 | 2808972 | 1 | Rohr | Fitting | | |
| 27 | 833470 | 2494614 | 1 | Scheibe | Disk washer | | |
| 28 | 867717 | 2806202 | - | Scheibe | Disk washer | | |
| 29 | 833833 | 2806203 | - | Scheibe | Disk washer | | |
| 30 | 833834 | 2806204 | - | Scheibe | Disk washer | | |
| 31 | 833835 | 2806205 | 1 | Scheibe | Disk washer | | |
| 32 | 833836 | 2806206 | - | Scheibe | Disk washer | | |
| 33 | 833837 | 2806207 | - | Scheibe | Disk washer | | |
| 34 | 022344 | 0011203 | 1 | Zylinderrollenlager | Cylinder roller bearing | | |
| 35 | 025970 | 0011388 | 1 | Rillenkugellager | Ball bearing | | |



| Pos. | Ref. | Old Ref. | Q.ty | Benennung | Description | Kit | Note |
|------|--------|----------|------|------------------|----------------|--------|------|
| 1 | 861989 | 2807937 | 1 | Flansch Kpl | Flange Assy | | |
| 1.1 | 334039 | 2807938 | 1 | Flansch | Flange | 861989 | |
| 1.2 | 834162 | 2900491 | 1 | Haube | Cap | 861989 | |
| 1.3 | 020294 | 0062144 | 8 | Stiftschraube | Stud | 861989 | |
| 2 | 834043 | 2807299 | 1 | Stimrad | Spur gear | | |
| 3 | 334027 | 2494631 | 1 | Huelse | Sleeve | | |
| 4 | 334043 | 2494633 | 1 | Muffe | Coupling | | |
| 5 | 834343 | 2808973 | 1 | Scheibe | Washer | | |
| 6 | 836118 | 1597982 | 1 | Mutter | Ring nut | | |
| 7 | 022342 | 0011133 | 1 | Kugel | Ball | | |
| 8 | 834161 | 2807949 | 1 | Huelse | Sleeve | | |
| 9 | 833268 | 2456313 | 1 | Bolzen | Pin | | |
| 10 | 834160 | 2807948 | 1 | Flansch | Flange | | |
| 11 | 830674 | 2377414 | 2 | Wellendichtring | Lip seal | | |
| 12 | 831047 | 2810228 | 1 | Drehzahlsensor | Sensor | | |
| 13 | 834685 | 2810845 | 3 | Scheibe | Washer | | |
| 14 | 830349 | 0447107 | 1 | Runddichtring | O-Ring | | |
| 15 | 830190 | 0044272 | 1 | Usit ring | Usit ring | | |
| 16 | 830518 | 2168639 | 1 | Wellendichtring | Lip seal | | |
| 17 | 831462 | 2900491 | 1 | O-Ring | O-Ring | | |
| 18 | 831531 | 2929507 | 1 | O-Ring | O-Ring | | |
| 19 | 021971 | 4155025 | 8 | Zylinderschraube | Cylinder screw | | |
| 20 | 831454 | 2900481 | 1 | O-Ring | O-Ring | | |
| 21 | 832516 | 0901425 | 1 | Feder | Spring | | |
| 22 | 020913 | 0012949 | 1 | Schraube | Screw | | |
| 23 | 021791 | 2426708 | 5 | Zylinderschraube | Cylinder screw | | |
| 24 | 326444 | 2781772 | 2 | Zylinderschraube | Cylinder screw | | |
| 25 | 027678 | 0044514 | 1 | Kegelrollenlager | Roller bearing | | |
| 26 | 027351 | 0027351 | 1 | Kegelrollenlager | Roller bearing | | |
| 27 | 022029 | 0101822 | 1 | Sprengtring | Circlip | | |
| 28 | 020659 | 1058958 | 2 | Zylinderschraube | Cylinder screw | | |
| 29 | 831516 | 2928989 | 1 | O-Ring | O-Ring | | |
| 30 | 021925 | 2929286 | - | Passscheibe | Shim Ring | | |
| 31 | 021067 | 2213390 | - | Passscheibe | Shim Ring | | |
| 32 | 021072 | 2213391 | - | Passscheibe | Shim Ring | | |

| Kit | Ref. | Benennung | Description | Q.ty | Note |
|--|---------|------------------------|-------------------------|------|------|
| 862828 | - | Planetentraeger Kpl | Planetary carrier Assy | | |
| - | 834913 | Planetentraeger | Planetary carrier | 1 | |
| - | 333771 | Stirnrad | Spur gear | 4 | |
| - | 830809 | Verschlusschraube | Screw plug | 1 | |
| - | 836165 | Scheibe | Washer | 1 | |
| - | 830883 | Zylinderrollenlager | Cylinder roller bearing | 4 | |
| - | 022292 | Verschlusschraube | Screw plug | 1 | |
| - | 020031 | Sicherungsring | Circlip | 4 | |
| 862682 | - | Kegelradsatz Mit Diff. | Bevel gear with diff. | | |
| - | 390540 | Gehaeuse | Housing | 1 | |
| - | 836047 | Kegelrad | Gear | 2 | |
| - | 836096 | Kegelrad | Gear | 4 | |
| - | 834517 | Bolzen | Pin | 2 | |
| - | 836099 | Scheibe | Washer | 2 | |
| - | 835023 | Scheibe | Washer | 4 | |
| - | 020095 | Schraube | Screw | 12 | |
| - | 863728 | Radsatz | Bevel gear set | 1 | |
| 861989 | - | Flansch Kpl | Flange Assy | | |
| - | 334039 | Flansch | Flange | 1 | |
| - | 834162 | Haube | Cap | 1 | |
| - | 020294 | Stiftschraube | Stud | 8 | |
| 831048 | - | Bremse Kpl | Brake Assy | | |
| - | 866941 | Kolben | Piston | 1 | |
| - | 868012 | Innerkoerper | Inner body | 1 | |
| - | 866942 | Druckscheibe | Thrust washer | 1 | |
| - | 866247 | Aussenlamelle | Outer disc | 7 | |
| - | 831978 | Innenlamelle | Inner disc | 7 | |
| - | 868551 | Schraube | Screw | 8 | |
| - | 020184 | Sicherungsring | Circlip | 1 | |
| - | 831979 | Stangedichtung | Piston gasket | 1 | |
| - | 831980 | Stangedichtung | Piston gasket | 1 | |
| - | 865555 | O-Ring | O-Ring | 2 | |
| - | 868552 | Druckfeder | Pressure spring | 8 | |
| 862704 GETRIEBE / TRANSMISSION TBS4.2 | | | | | |
| 863160 | - | Planetentraeger Kpl | Planetary carrier Assy | | |
| - | 838229 | Planetentraeger | Planetary carrier | 1 | |
| - | 863142 | Stirnrad | Spur gear | 3 | |
| - | 833475 | Bolzen | Pin | 3 | |
| - | 830868 | Axialscheibe | Axial washer | 6 | |
| 830944 | 2815615 | Bremse Kpl | Brake Assy | | |
| - | 868553 | Kolben | Piston | 1 | |
| - | 831632 | Kolben | Piston | 1 | |
| - | 866878 | Zwischenring | Spacing ring | 1 | |
| - | 868554 | Zwischenring | Spacing ring | 1 | |
| - | 868556 | Stangendichtung | Piston gasket | 1 | |
| - | 868557 | Stangendichtung | Piston gasket | 1 | |
| - | 831991 | Stangendichtung | Piston gasket | 1 | |
| - | 868558 | Stangendichtung | Piston gasket | 1 | |
| - | 866879 | Druckfeder | Pressur spring | 48 | |
| - | 866880 | Druckfeder | Pressur spring | 48 | |
| - | 868559 | Druckfeder | Pressur spring | 12 | |
| - | 868559 | Druckfeder | Pressur spring | 10 | |
| - | 866850 | Druckfeder | Pressur spring | 1 | |
| - | 868555 | Aussenlamelle | Outer disc | 8 | |
| - | 327763 | Innenlamelle | Inner disc | 7 | |
| - | 831428 | Aussenlamelle | Outer disc | 11 | |
| - | 831996 | Innenlamelle | Inner disc | 11 | |